

Series VPCF round flat suction pads - Series VPCF

Product code: VPCF-0200E-1/8F

Datasheet creation date: 10/03/2025 12:20

Check the most updated document online [click here](#)

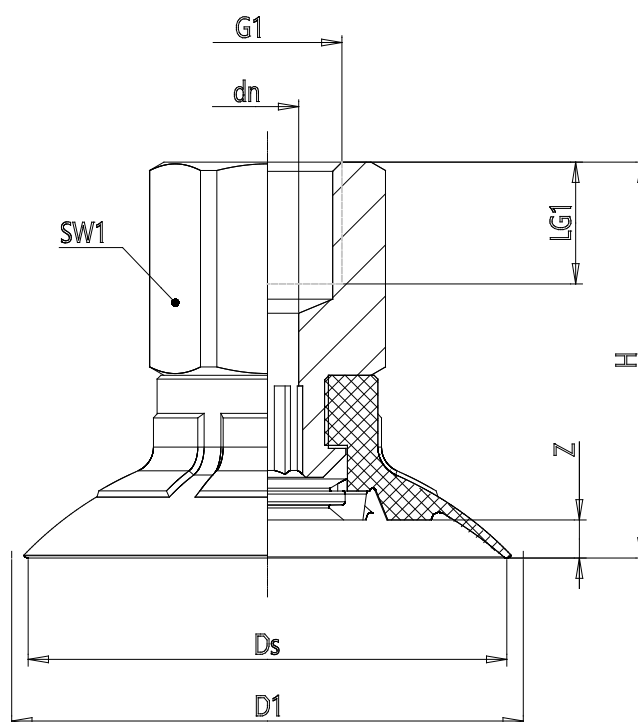


TECHNICAL DATA

| | |
|--------------------|---------------|
| Series | VP |
| Shape | C = circular |
| Version | F = flat |
| Diameters | 0200 = 20 mm |
| Materials | E = elastodur |
| Thread size | G1/8 |
| Thread type | F = female |

Series VPCF round flat suction pads - Series VPCF

Product code: VPCF-0200E-1/8F



DIMENSIONS

| | |
|--------------------|------------|
| DN (mm) | 4.1 |
| DS (mm) | 21.4 |
| D1 (mm) | 23.3 |
| G1 | G1/8 |
| H (mm) | 25.0 |
| HM (mm) | 17.0 |
| HF (mm) | 25 |
| LG1 (mm) | 8.0 |
| SW1 (mm) | 14 |
| Z (mm) | 2.0 |
| Suction pad | VPCF 0200E |
| Nipple | NPS-G-1/8 |