

Series VPCF round flat suction pads - Series VPCF

Product code: VPCF-0600E-1/4M

Datasheet creation date: 10/03/2025 12:21

Check the most updated document online [click here](#)

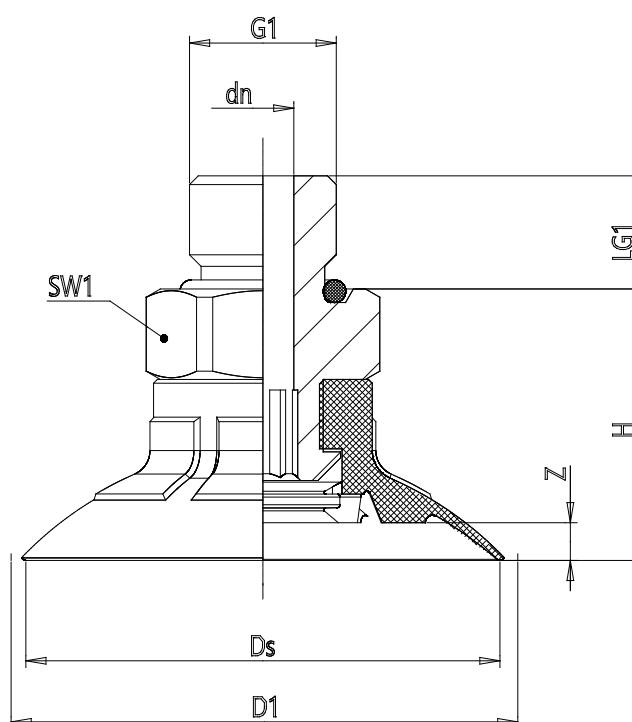


TECHNICAL DATA

Series	VP
Shape	C = circular
Version	F = flat
Diameters	0600 = 60 mm
Materials	E = elastodur
Thread size	G1/4
Thread type	M = male

Series VPCF round flat suction pads - Series VPCF

Product code: VPCF-0600E-1/4M



DIMENSIONS

DN (mm)	6.1
DS (mm)	61.2
D1 (mm)	65.0
G1	G1/4
H (mm)	26.0
HM (mm)	26.0
HF (mm)	36
LG1 (mm)	10.0
SW1 (mm)	17
Z (mm)	5.1
Suction pad	VPCF 0600E
Nipple	NPS-A-1/4