

Series VPCL round bellow suction pads - Series VPCL

Product code: VPCL-0400E-1/4M

Datasheet creation date: 10/03/2025 12:23

Check the most updated document online [click here](#)

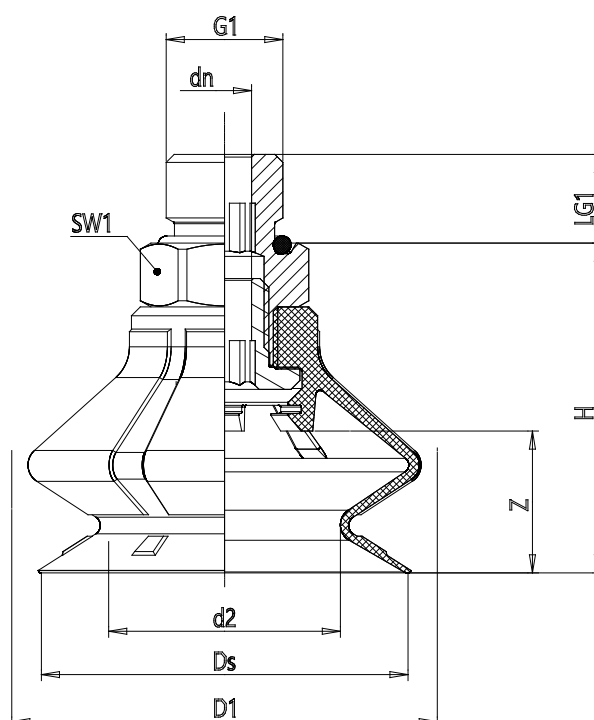


TECHNICAL DATA

Series	VP
Shape	C = circular
Version	L = 1.5 bends
Diameters	0400 = 40 mm
Materials	E = elastodur
Thread size	G1/4
Thread type	M = male

Series VPCL round bellow suction pads - Series VPCL

Product code: VPCL-0400E-1/4M



DIMENSIONS

DN (mm)	6.1
DS (mm)	41.4
D1 (mm)	48.0
G1	G1/4
H (mm)	38
HM (mm)	38
HF (mm)	48
LG1 (mm)	10.0
SW1 (mm)	17
Z (mm)	16
Suction pad	VPCL 0040E
Nipple	NPS-B-M5