

Series VPCL round bellow suction pads - Series VPCL

Product code: VPCL-0800E-1/4M

Datasheet creation date: 10/03/2025 12:23

Check the most updated document online [click here](#)

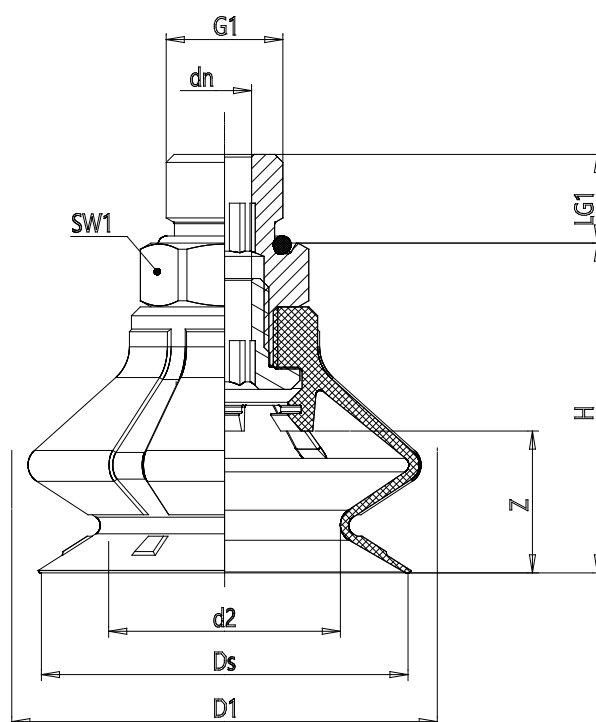


TECHNICAL DATA

Series	VP
Shape	C = circular
Version	L = 1.5 bends
Diameters	0800 = 80 mm
Materials	E = elastodur
Thread size	G1/4
Thread type	M = male

Series VPCL round bellow suction pads - Series VPCL

Product code: VPCL-0800E-1/4M



DIMENSIONS

DN (mm)	6.1
DS (mm)	81.4
D1 (mm)	88.0
G1	G1/4
H (mm)	54
HM (mm)	54
HF (mm)	64
LG1 (mm)	10.0
SW1 (mm)	22
Z (mm)	24
Suction pad	VPCL 0800E
Nipple	NPS-C-1/4