

- Quick exhaust valves Series VSC

Product code: VSC 522-08

Datasheet creation date: 10/03/2025 11:10

Check the most updated document online [click here](#)

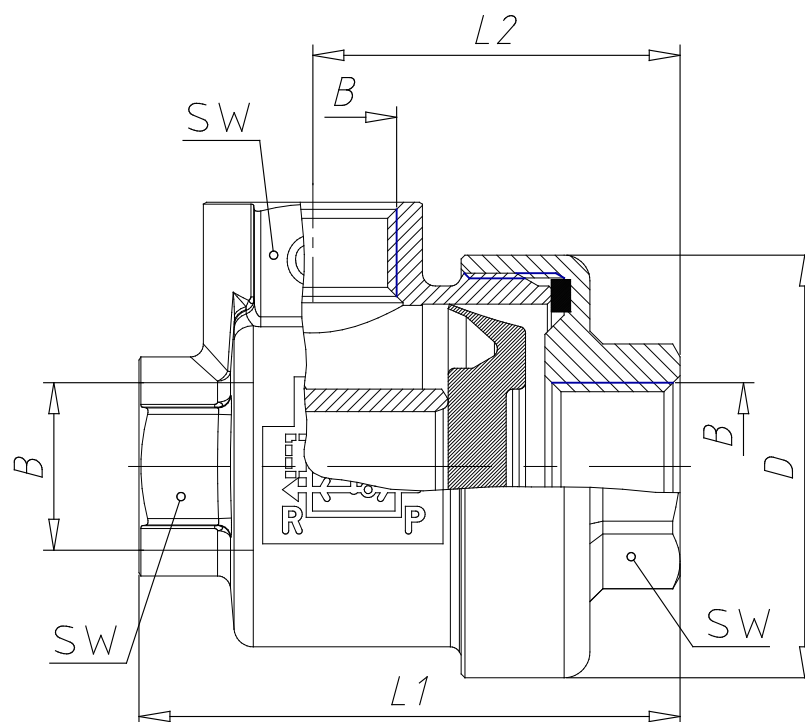


TECHNICAL DATA

| | |
|------|------------|
| Mod. | VSC 522-08 |
|------|------------|

- Quick exhaust valves Series VSC

Product code: VSC 522-08



■ DIMENSIONS

| | |
|------------------|-------|
| B (NPTF) | 1/2 |
| D (INCH) | 1.693 |
| L1 (INCH) | 2.343 |
| L2 (INCH) | 1.594 |
| SW (INCH) | 0.945 |