

Quick exhaust valves - Series VSC

Product code: VSC 522-1/2

Datasheet creation date: 10/03/2025 11:10

Check the most updated document online [click here](#)

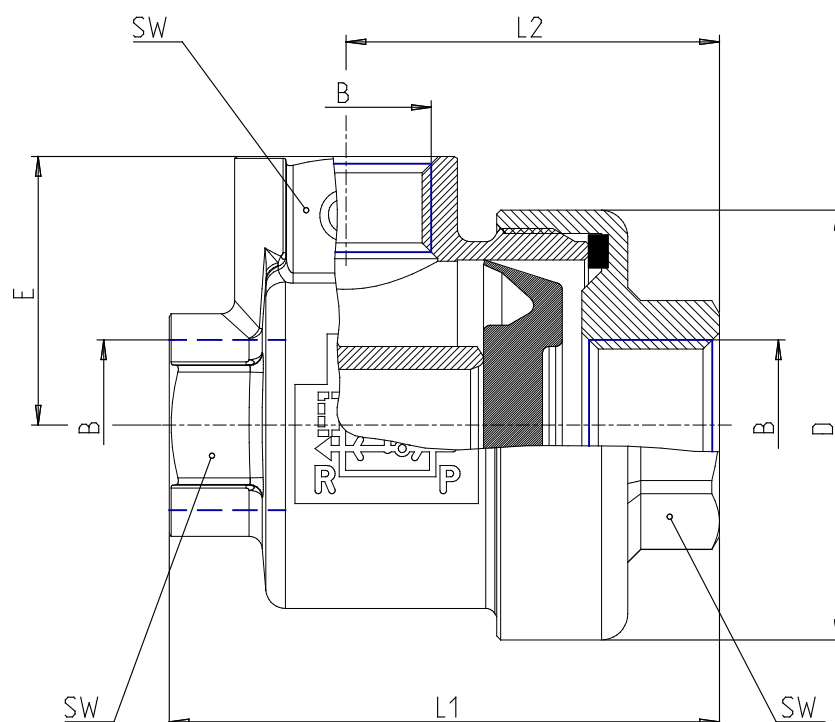


TECHNICAL DATA

Mod.	VSC 522-1/2
SW (mm)	24
Medium inlet flow rate 1 > 2 at 6 bar, ΔP 1 bar] (NI/min)	4700
Medium inlet flow rate 2 > 3 at 6 bar, ΔP 1 bar] (NI/min)	6250
Min. operating pressure (bar) (bar)	0,2

Quick exhaust valves - Series VSC

Product code: VSC 522-1/2



DIMENSIONS

D (mm)	43
E (mm)	27.0
L1 (mm)	57.5
L2 (mm)	39.5