

## Series VSCF round flat suction pad - Serie VSCF

Product code: VSCF-0180S-1/8F

Datasheet creation date: 10/03/2025 12:21

Check the most updated document online [click here](#)

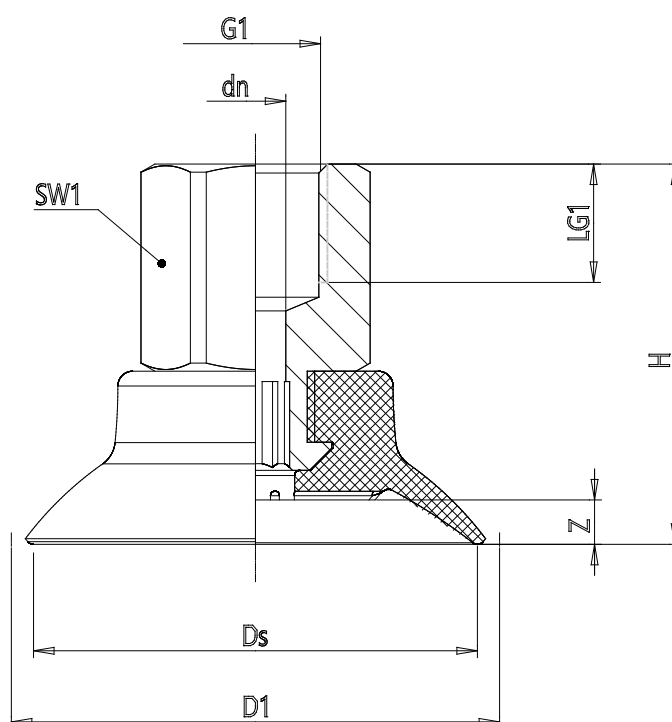


### TECHNICAL DATA

<b>Series</b>	VS
<b>Shape</b>	C = circular
<b>Version</b>	F = flat
<b>Diameters</b>	Ø180
<b>Materials</b>	S = Silicone
<b>Thread size</b>	G1/8
<b>Thread type</b>	F = Femmina

## Series VSCF round flat suction pad - Serie VSCF

Product code: VSCF-0180S-1/8F



### DIMENSIONS

<b>G1</b>	1/8
<b>D1 (mm)</b>	20.6
<b>DN (mm)</b>	3.1
<b>DS (mm)</b>	18.0
<b>H (mm)</b>	23.3
<b>LG1 (mm)</b>	8.0
<b>SW1 (mm)</b>	14
<b>Z (mm)</b>	1.8
<b>Suction pad</b>	VSCF 0180*
<b>Nipple</b>	NPS-E-1/8-F