

Series VTCL bellows suction pads - Series VTCL (1,5 folds)

Product code: VTCL-040N-M3M

Datasheet creation date: 10/03/2025 12:22

Check the most updated document online [click here](#)

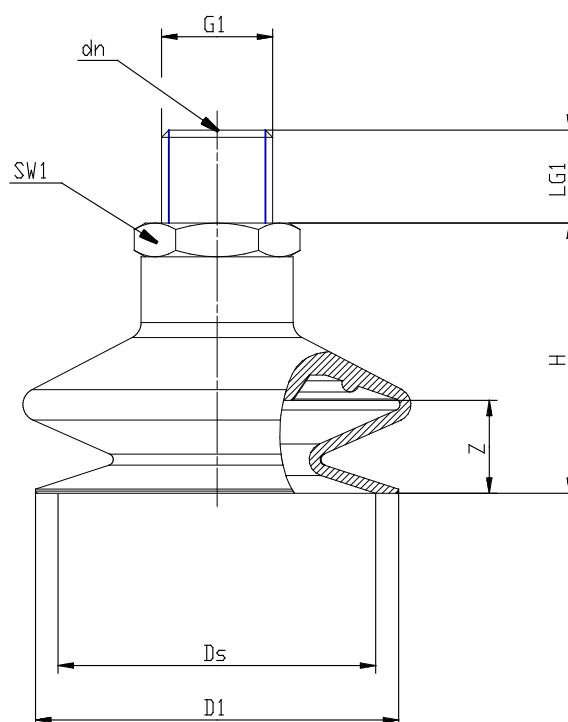


TECHNICAL DATA

Series	VTCL
Materials	N = NBR
Thread size (mm)	M3
Thread type	M = male

Series VTCL bellows suction pads - Series VTCL (1,5 folds)

Product code: VTCL-040N-M3M



DIMENSIONS

D1 (mm)	4.3
DN (mm)	1.0
DS (mm)	4.0
G1	M3M
H (mm)	7.5
LG1 (mm)	3.0
SW1 (mm)	5
Z (mm)	1.5
Suction pad	VTCL-040*
Nipple	NPS-B-M3-M