

Series VTCL bellows suction pads - Series VTCL (1,5 folds)

Product code: VTCL-160S-1/8M

Datasheet creation date: 10/03/2025 12:24

Check the most updated document online [click here](#)

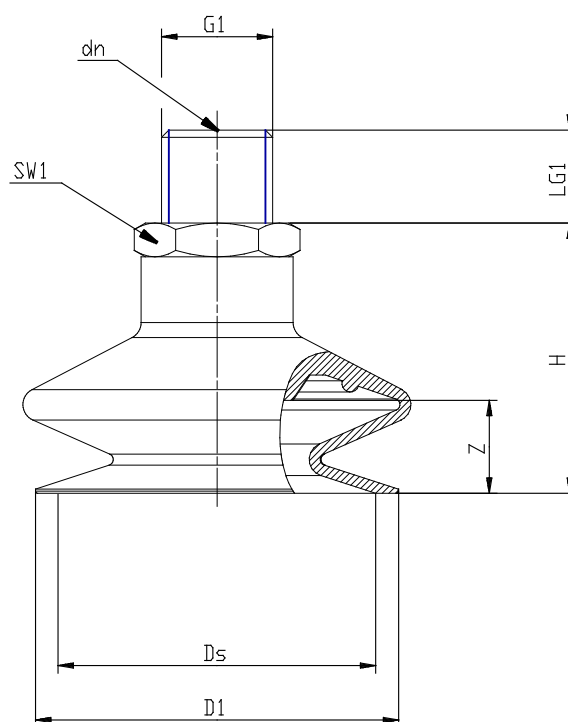


TECHNICAL DATA

Series	VTCL
Materials	S = Silicone
Thread size (mm)	G1/8
Thread type	M = male

Series VTCL bellows suction pads - Series VTCL (1,5 folds)

Product code: VTCL-160S-1/8M



DIMENSIONS

D1 (mm)	16.5
DN (mm)	3.5
DS (mm)	15.6
G1	G1/8 M
H (mm)	25.0
LG1 (mm)	7.5
SW1 (mm)	14
Z (mm)	6.0
Suction pad	VTCL-160*
Nipple	NPV-R-1/8-M