

## Direct operated solenoid valves - Series W

Product code: W000-305-W23P

Datasheet creation date: 10/03/2025 11:43

Check the most updated document online [click here](#)

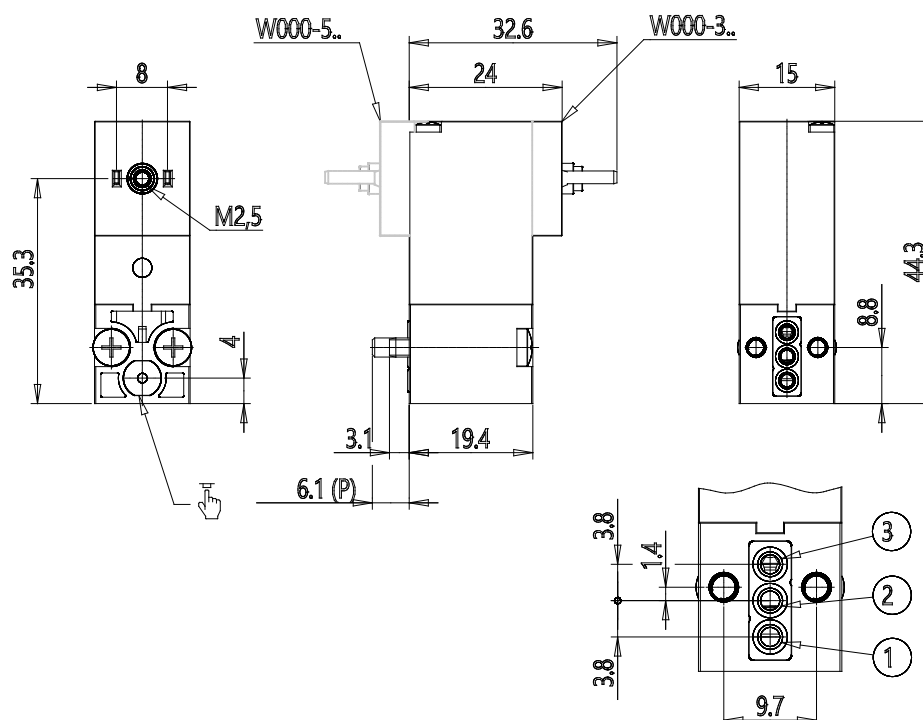


### TECHNICAL DATA

|                                   |  |
|-----------------------------------|--|
| <b>Series</b>                     | W  |
| <b>Body execution</b>             | 0 = interface  |
| <b>Number of seats</b>            | 00 = ISO 15218 interface                               |
| <b>Number of ways - Functions</b> | 3 = 3/2 way - NC                                       |
| <b>Valve connections</b>          | 0 = ISO 15218 interface                                |
| <b>Orifice diameter</b>           | 5 = Ø 1.1 mm   |
| <b>Materials</b>                  | W = PBT body - NBR - FKM - PU seals                    |
| <b>Electrical connection</b>      | 2 = 12 V DC - 2 W (1 W only for NC - Ø 0.8 mm version) |
| <b>Voltage - Absorbed power</b>   | 3 = 24 V DC - 2 W                                      |
| <b>Fixing</b>                     | P = fixing screws for plastic                          |
| <b>Options</b>                    | = Standard   |

## Direct operated solenoid valves - Series W

Product code: W000-305-W23P



### DIMENSIONS

|                                   |  |
|-----------------------------------|--|
| <b>Series</b>                     | W  |
| <b>Body execution</b>             | 0 = interface  |
| <b>Number of seats</b>            | 00 = ISO 15218 interface   |
| <b>Number of ways - Functions</b> | 3 = 3/2 way - NC   |
| <b>Valve connections</b>          | 0 = ISO 15218 interface  |
| <b>Orifice diameter</b>           | 5 = $\varnothing$ 1.1 mm   |
| <b>Materials</b>                  | W = PBT body - NBR - FKM - PU seals                                |
| <b>Electrical connection</b>      | 2 = 12 V DC - 2 W (1 W only for NC - $\varnothing$ 0.8 mm version) |
| <b>Voltage - Absorbed power</b>   | 3 = 24 V DC - 2 W  |
| <b>Fixing</b>                     | P = fixing screws for plastic                                      |
| <b>Options</b>                    | = Standard   |