

Mod. W6750 - Fittings Series 7000 - Cooling

Product code: W6750 6

Datasheet creation date: 10/03/2025 09:17

Check the most updated document online [click here](#)

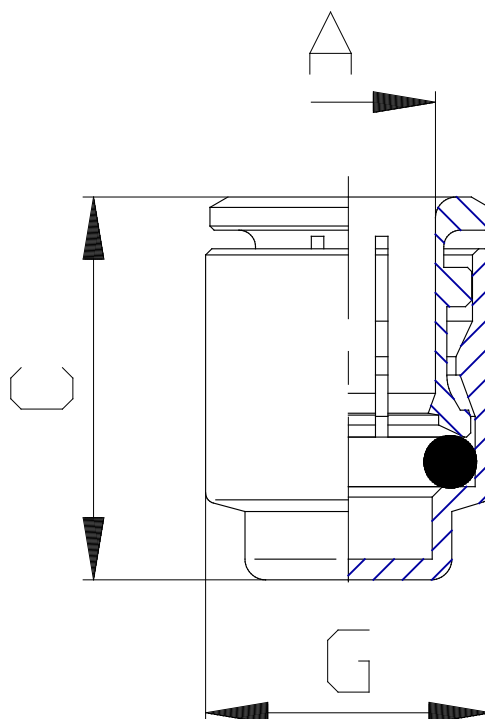


■ TECHNICAL DATA

Mod.	W6750 6
------	---------

Mod. W6750 - Fittings Series 7000 - Cooling

Product code: W6750 6



DIMENSIONS

A (mm)	6
G (mm)	11.8
L (mm)	16.5
Weight (g)	4.5