

Mod. W7522 OX1 - Fittings Series 7000 - Medical

Product code: W7522 6-1/4-OX1

Datasheet creation date: 10/03/2025 09:17

Check the most updated document online [click here](#)

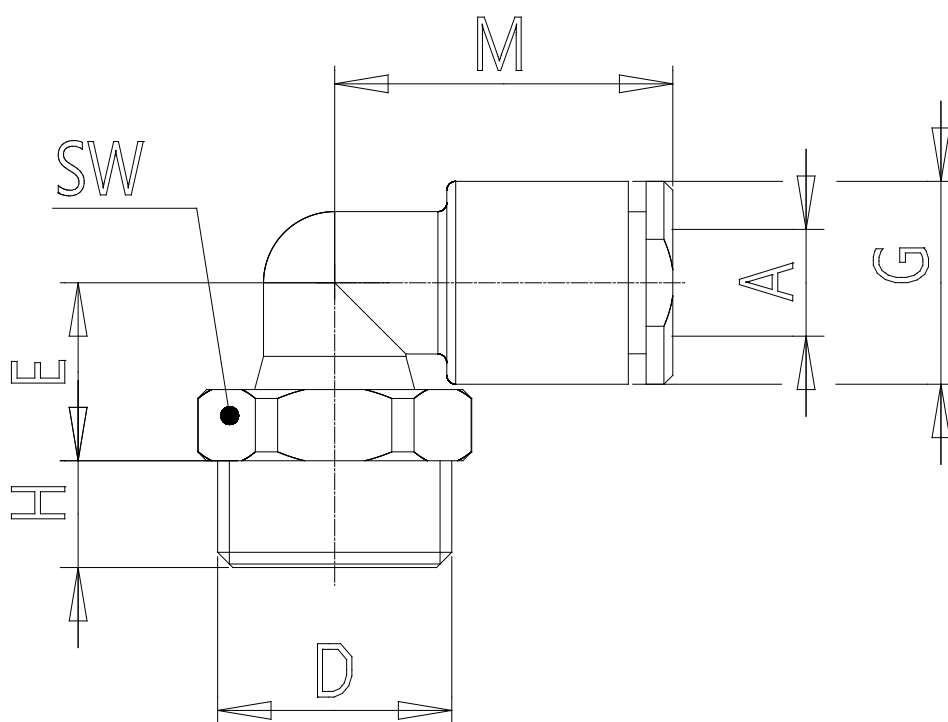


■ TECHNICAL DATA

Mod.	W7522 6-1/4-OX1
------	-----------------

Mod. W7522 OX1 - Fittings Series 7000 - Medical

Product code: W7522 6-1/4-OX1



DIMENSIONS

A (mm)	6
D	G1/4
E (mm)	10.0
G (mm)	11.4
H (mm)	6.0
M (mm)	19.0
SW (mm)	14
Weight (g)	11