

Mod. W7522 OX1 - Fittings Series 7000 - Medical

Product code: W7522 8-1/8-OX1

Datasheet creation date: 10/03/2025 09:17

Check the most updated document online [click here](#)

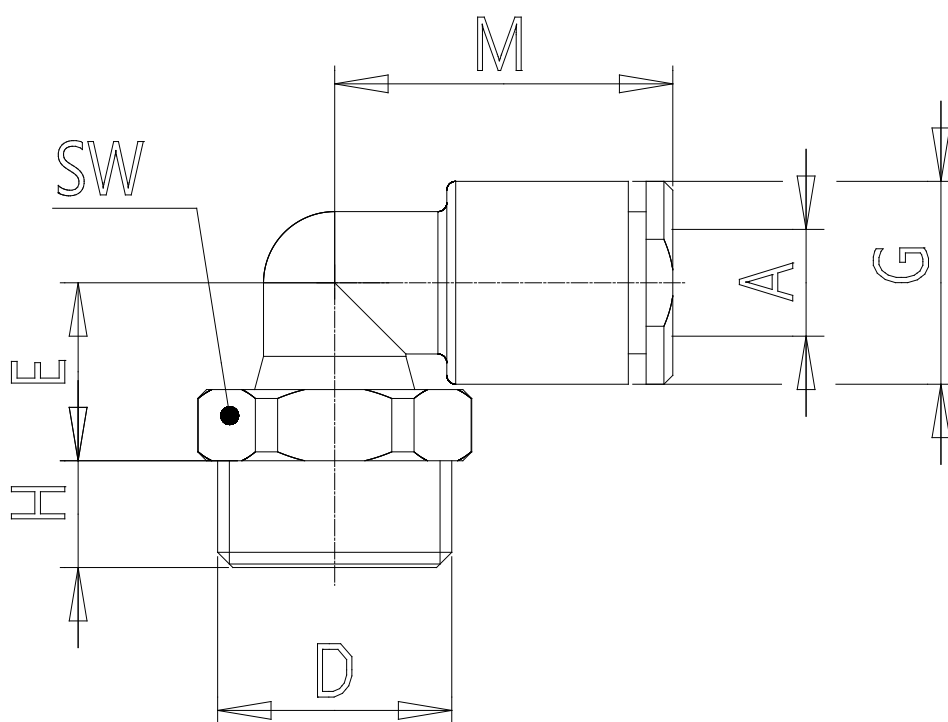


■ TECHNICAL DATA

| | |
|------|-----------------|
| Mod. | W7522 8-1/8-OX1 |
|------|-----------------|

Mod. W7522 OX1 - Fittings Series 7000 - Medical

Product code: W7522 8-1/8-OX1



DIMENSIONS

| | |
|-------------------|------|
| A (mm) | 8 |
| D | G1/8 |
| E (mm) | 13.5 |
| G (mm) | 13.7 |
| H (mm) | 5.0 |
| M (mm) | 21.5 |
| SW (mm) | 12 |
| Weight (g) | 11 |