

Mod. W7540 OX1 - Fittings Series 7000 - Medical

Product code: W7540 6-OX1

Datasheet creation date: 10/03/2025 09:18

Check the most updated document online [click here](#)

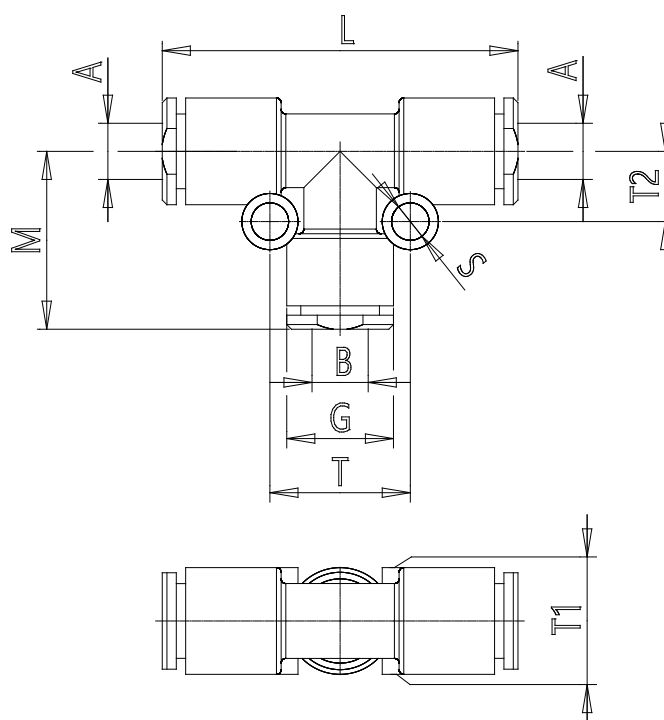


■ TECHNICAL DATA

| | |
|------|-------------|
| Mod. | W7540 6-OX1 |
|------|-------------|

Mod. W7540 OX1 - Fittings Series 7000 - Medical

Product code: W7540 6-OX1



DIMENSIONS

| | |
|-------------------|------|
| A (mm) | 6 |
| B (mm) | 6 |
| G (mm) | 11.4 |
| L (mm) | 38 |
| M (mm) | 19.0 |
| S (mm) | 4 |
| T (mm) | 15 |
| T1 (mm) | 11.4 |
| T2 (mm) | 7.5 |
| Weight (g) | 9 |