

Mod. W7550 OX1 - Fittings Series 7000 - Medical

Product code: W7550 10-OX1

Datasheet creation date: 20/05/2026 08:20

Check the most updated document online [click here](#)

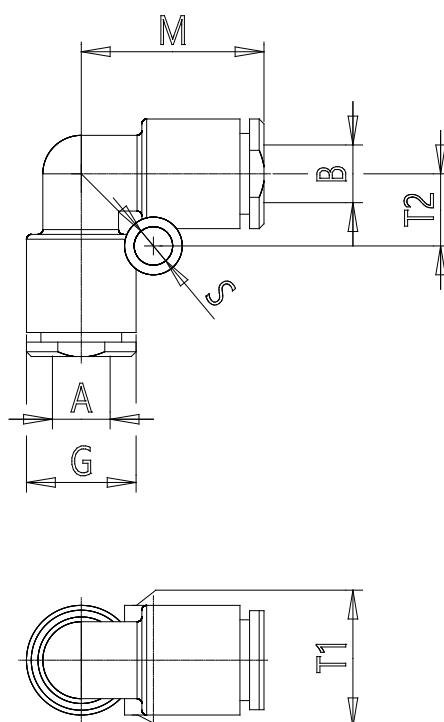


■ TECHNICAL DATA

| | |
|------|--------------|
| Mod. | W7550 10-OX1 |
|------|--------------|

Mod. W7550 OX1 - Fittings Series 7000 - Medical

Product code: W7550 10-OX1



DIMENSIONS

| | |
|-------------------|------|
| A (mm) | 10 |
| B (mm) | 10 |
| G (mm) | 16.3 |
| M (mm) | 26.0 |
| S (mm) | 4.4 |
| T1 (mm) | 16.3 |
| T2 (mm) | 8.0 |
| Weight (g) | 5 |