

Mod. W7550 - Fittings Series 7000 - Cooling

Product code: W7550 12

Datasheet creation date: 20/05/2026 08:20

Check the most updated document online [click here](#)

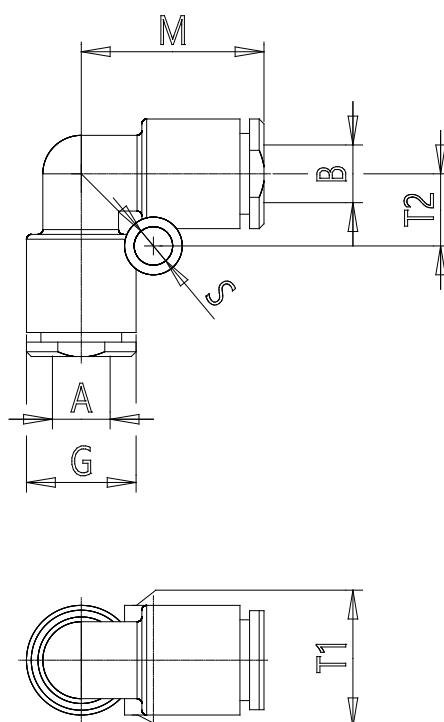


TECHNICAL DATA

Mod.	W7550 12
------	----------

Mod. W7550 - Fittings Series 7000 - Cooling

Product code: W7550 12



DIMENSIONS

A (mm)	12
B (mm)	12
G (mm)	20.0
M (mm)	31.5
S (mm)	4.4
T1 (mm)	9.0
T2 (mm)	9.6
Weight (g)	11