

## Mod. W7550 OX1 - Fittings Series 7000 - Medical

Product code: W7550 8-OX1

Datasheet creation date: 10/03/2025 09:18

Check the most updated document online [click here](#)

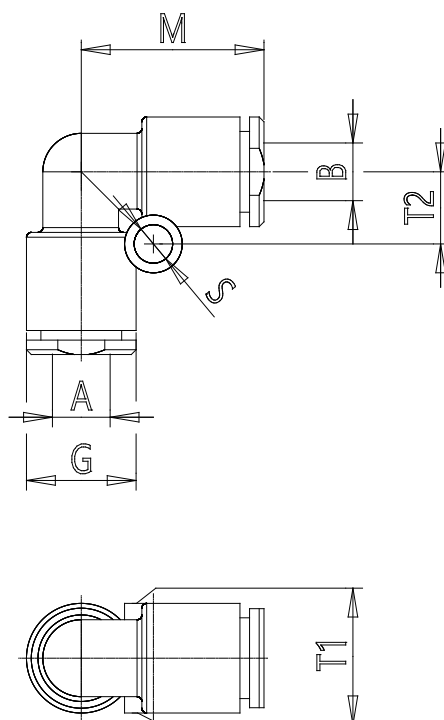


### ■ TECHNICAL DATA

Mod.	W7550 8-OX1
------	-------------

## Mod. W7550 OX1 - Fittings Series 7000 - Medical

Product code: W7550 8-OX1



### DIMENSIONS

<b>A (mm)</b>	8
<b>B (mm)</b>	8
<b>G (mm)</b>	13.7
<b>M (mm)</b>	21.5
<b>S (mm)</b>	4
<b>T1 (mm)</b>	13.7
<b>T2 (mm)</b>	8.5
<b>Weight (g)</b>	9