

## Mod. W7560 OX1 - Fittings Series 7000 - Medical

Product code: W7560 10-OX1

Datasheet creation date: 20/05/2026 08:19

Check the most updated document online [click here](#)

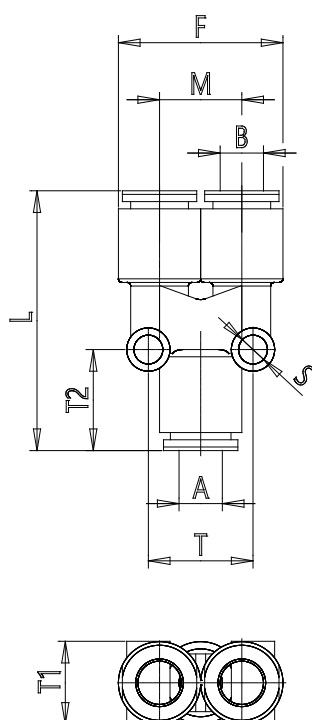


### ■ TECHNICAL DATA

Mod.	W7560 10-OX1
------	--------------

## Mod. W7560 OX1 - Fittings Series 7000 - Medical

Product code: W7560 10-OX1



### DIMENSIONS

<b>A (mm)</b>	10
<b>B (mm)</b>	10
<b>E (mm)</b>	25.0
<b>F (mm)</b>	32.6
<b>L (mm)</b>	49.5
<b>M (mm)</b>	16.3
<b>S (mm)</b>	4.4
<b>T (mm)</b>	16.3
<b>T1 (mm)</b>	16.0
<b>T2 (mm)</b>	14.6
<b>Weight (g)</b>	10