

Mod. W7560 OX1 - Fittings Series 7000 - Medical

Product code: W7560 6-OX1

Datasheet creation date: 10/03/2025 09:18

Check the most updated document online [click here](#)

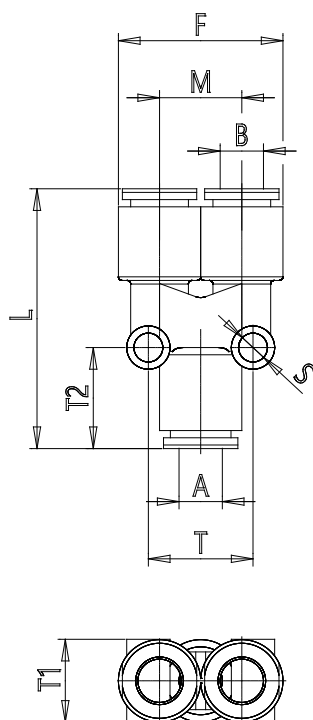


■ TECHNICAL DATA

Mod.	W7560 6-OX1
------	-------------

Mod. W7560 OX1 - Fittings Series 7000 - Medical

Product code: W7560 6-OX1



DIMENSIONS

A (mm)	6
B (mm)	6
E (mm)	21.2
F (mm)	23.0
H (mm)	7.5
L (mm)	36.0
M (mm)	11.4
S (mm)	4
T (mm)	14.5
T1 (mm)	11.5
T2 (mm)	14
Weight (g)	9