

## Mod. W7580 OX1 - Fittings Series 7000 - Medical

Product code: W7580 10-OX1

Datasheet creation date: 20/05/2026 08:20

Check the most updated document online [click here](#)

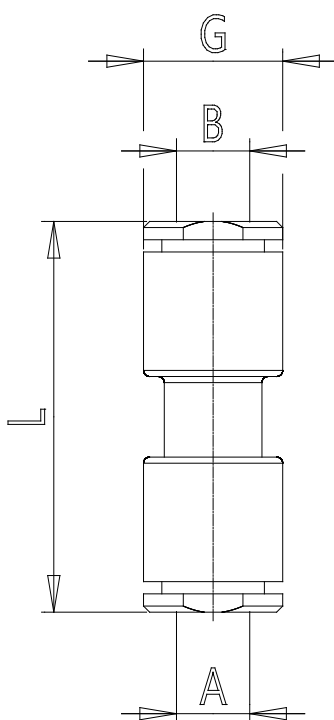


### TECHNICAL DATA

Mod.	W7580 10-OX1
------	--------------

## Mod. W7580 OX1 - Fittings Series 7000 - Medical

Product code: W7580 10-OX1



### **DIMENSIONS**

<b>A (mm)</b>	10
<b>B (mm)</b>	10
<b>G (mm)</b>	16.3
<b>L (mm)</b>	42.0
<b>Weight (g)</b>	5