

## Mod. W7800 OX1 - Fittings Series 7000 - Medical

Product code: W7800 6-8-OX1

Datasheet creation date: 10/03/2025 09:19

Check the most updated document online [click here](#)

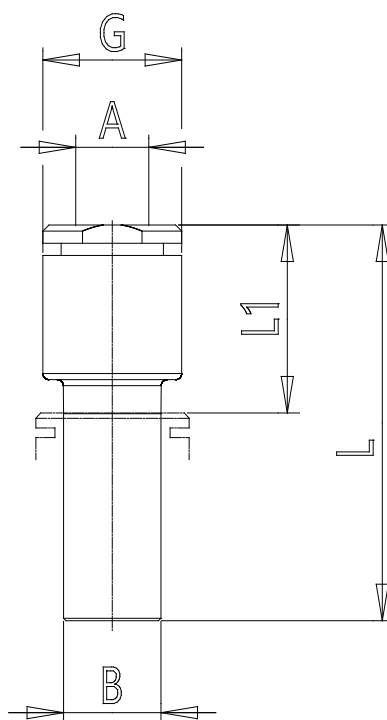


### ■ TECHNICAL DATA

Mod.	W7800 6-8-OX1
------	---------------

## Mod. W7800 OX1 - Fittings Series 7000 - Medical

Product code: W7800 6-8-OX1



### DIMENSIONS

<b>A (mm)</b>	6
<b>B (mm)</b>	8
<b>G (mm)</b>	11.4
<b>L (mm)</b>	32.5
<b>L1 (mm)</b>	15.5
<b>Weight (g)</b>	4