

Mod. X1510 - Series X2000 fittings

Product code: X1510 12/10-1/2

Datasheet creation date: 10/03/2025 08:54

Check the most updated document online [click here](#)

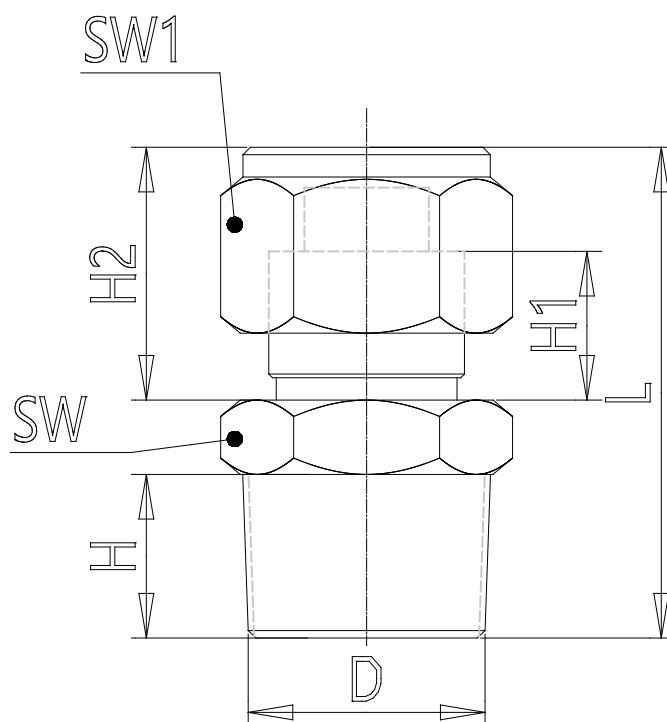


TECHNICAL DATA

Mod.	X1510 12/10-1/2
------	-----------------

Mod. X1510 - Series X2000 fittings

Product code: X1510 12/10-1/2



DIMENSIONS

Tube	12/10
D	R1/2
H (mm)	13.0
H1 (mm)	9
H2 (mm)	18.0
L (mm)	38
SW (mm)	22
SW1 (mm)	19