

Mod. X1703 - Series X2000 fittings

Product code: X1703 10/8

Datasheet creation date: 10/03/2025 08:55

Check the most updated document online [click here](#)

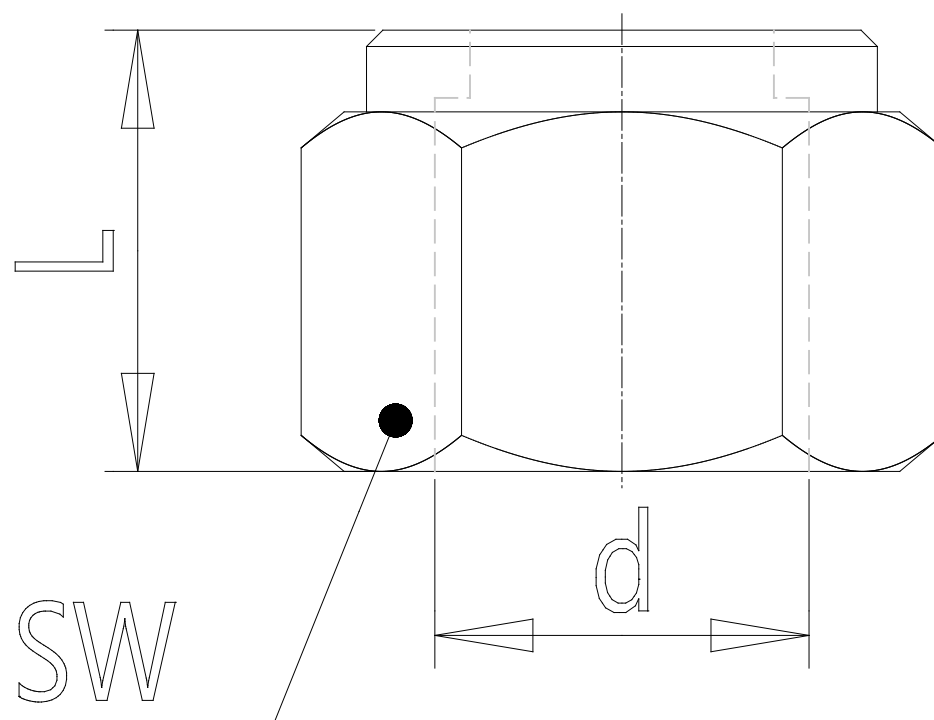


■ TECHNICAL DATA

Mod.	X1703 10/8
------	------------

Mod. X1703 - Series X2000 fittings

Product code: X1703 10/8



DIMENSIONS

Tube	10/8
d (mm)	14x1
L (mm)	13.5
SW (mm)	17