

Mod. X1703 - Series X2000 fittings

Product code: X1703 12/10

Datasheet creation date: 10/03/2025 08:55

Check the most updated document online [click here](#)

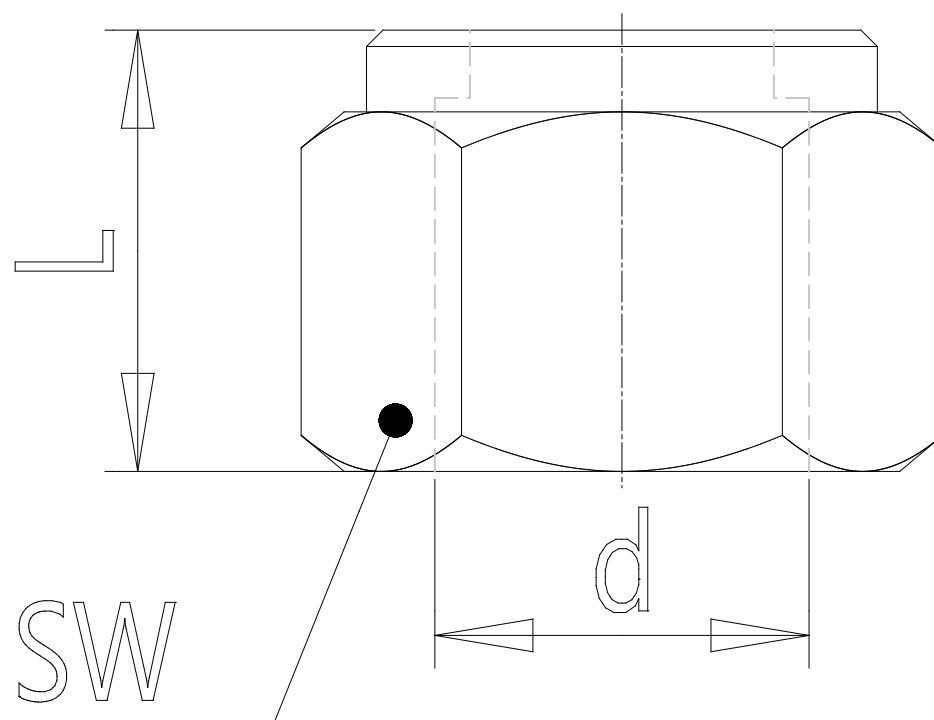


■ TECHNICAL DATA

Mod.	X1703 12/10
------	-------------

Mod. X1703 - Series X2000 fittings

Product code: X1703 12/10



■ DIMENSIONS

Tube	12/10
d (mm)	16x1
L (mm)	14.5
SW (mm)	19