

## Mod. X1703 - Series X2000 fittings

Product code: X1703 6/4

Datasheet creation date: 10/03/2025 08:55

Check the most updated document online [click here](#)

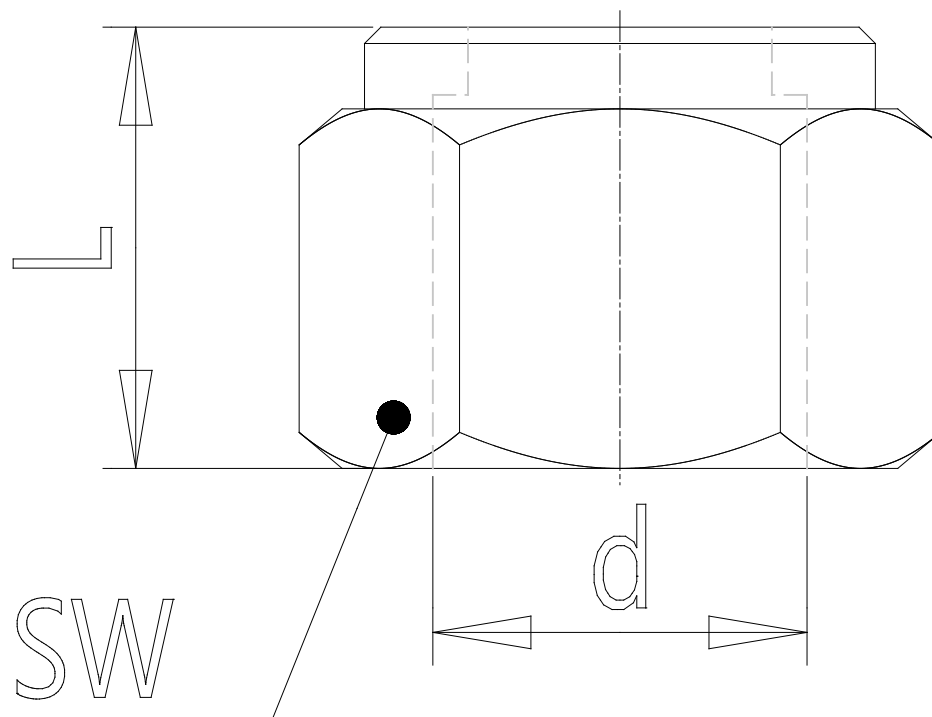


### ■ TECHNICAL DATA

Mod.	X1703 6/4
------	-----------

## Mod. X1703 - Series X2000 fittings

Product code: X1703 6/4



### **DIMENSIONS**

<b>Tube</b>	6/4
<b>d (mm)</b>	10x1
<b>L (mm)</b>	11.4
<b>SW (mm)</b>	12