

Mod. X1703 - Series X2000 fittings

Product code: X1703 8/6

Datasheet creation date: 10/03/2025 08:55

Check the most updated document online [click here](#)

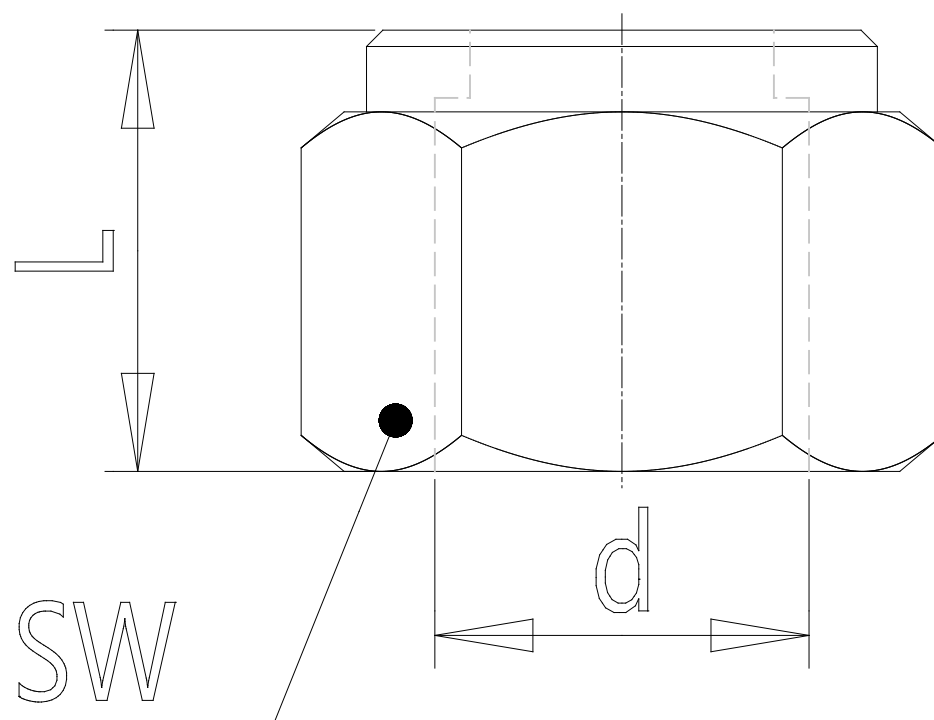


■ TECHNICAL DATA

Mod.	X1703 8/6
------	-----------

Mod. X1703 - Series X2000 fittings

Product code: X1703 8/6



DIMENSIONS

Tube	8/6
d (mm)	12x1
L (mm)	11.7
SW (mm)	14