

Mod. X2013 - Series X2000 fittings

Product code: X2013 1/2

Datasheet creation date: 10/03/2025 02:53

Check the most updated document online [click here](#)

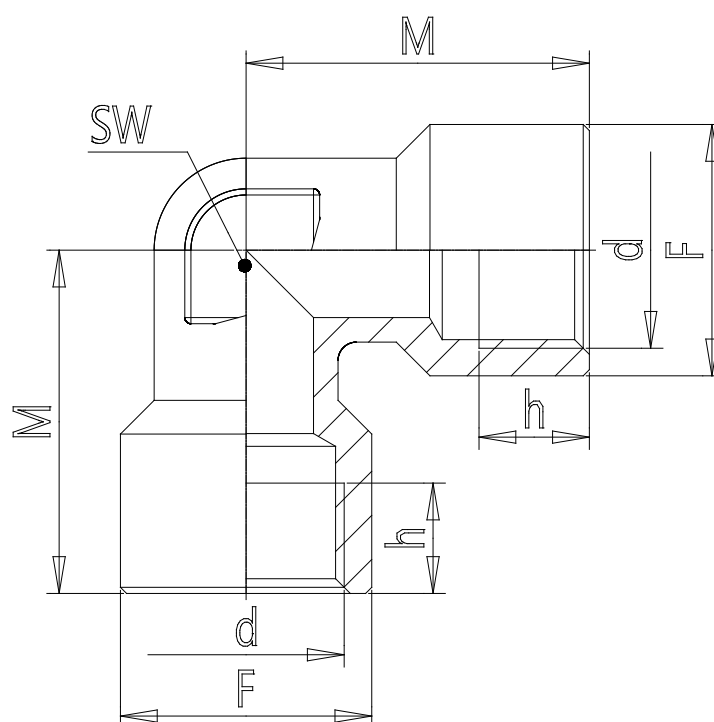


TECHNICAL DATA

Mod.	X2013 1/2
------	-----------

Mod. X2013 - Series X2000 fittings

Product code: X2013 1/2



DIMENSIONS

d	G1/2
h (mm)	15
M (mm)	32.0
F (mm)	25.0
SW (mm)	20