

Mod. X2500 - Series X2000 fittings

Product code: X2500 1/2

Datasheet creation date: 10/03/2025 02:54

Check the most updated document online [click here](#)

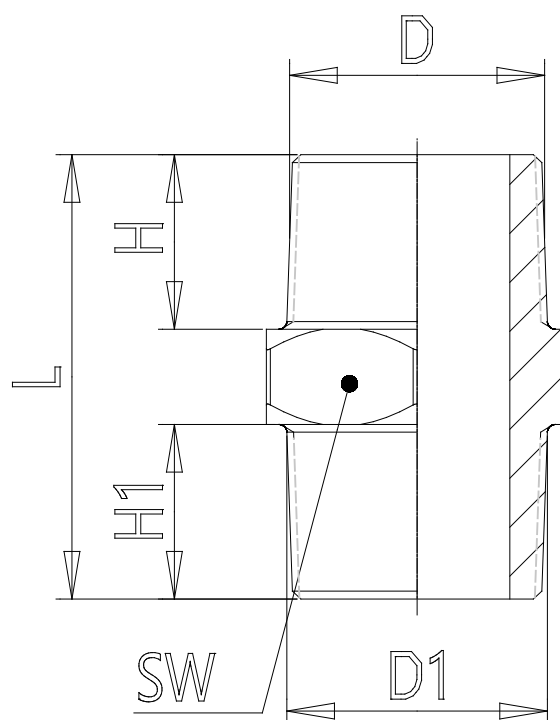


■ TECHNICAL DATA

Mod.	X2500 1/2
------	-----------

Mod. X2500 - Series X2000 fittings

Product code: X2500 1/2



DIMENSIONS

D	R1/2
D1	R1/2
H (mm)	14
H1 (mm)	14
L (mm)	33
SW (mm)	22