

## Mod. X2500 - Series X2000 fittings

Product code: X2500 1/4-1/4PT

Datasheet creation date: 10/03/2025 02:54

Check the most updated document online [click here](#)

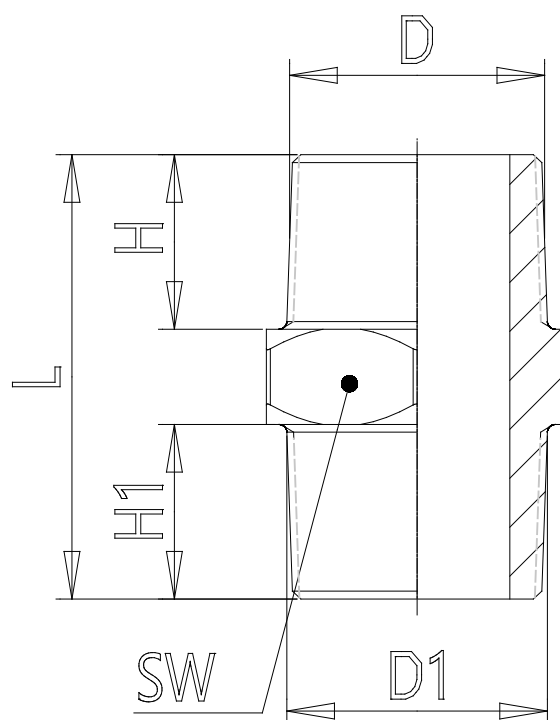


### TECHNICAL DATA

Mod.	X2500 1/4-1/4PT
------	-----------------

## Mod. X2500 - Series X2000 fittings

Product code: X2500 1/4-1/4PT



### DIMENSIONS

<b>D</b>	G1/4
<b>D1</b>	1/4NPT
<b>H (mm)</b>	11
<b>H1 (mm)</b>	12
<b>L (mm)</b>	28
<b>SW (mm)</b>	14