

Mod. X2500 - Series X2000 fittings

Product code: X2500 1/4

Datasheet creation date: 10/03/2025 02:54

Check the most updated document online [click here](#)

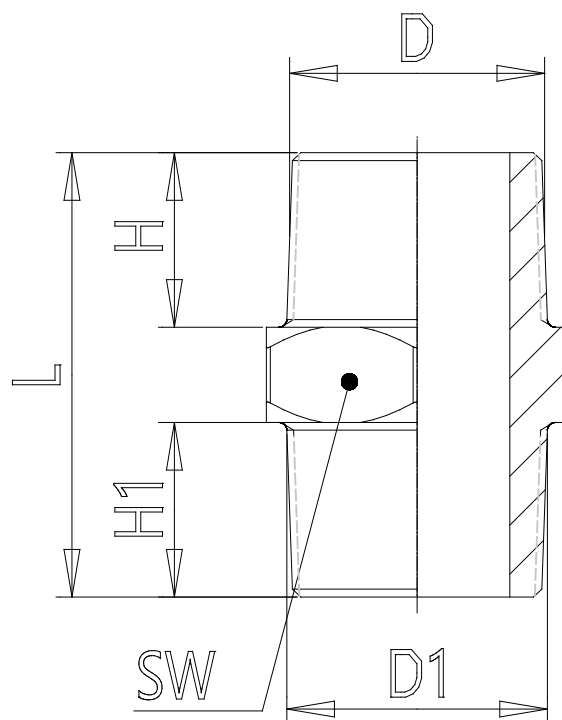


TECHNICAL DATA

Mod.	X2500 1/4
------	-----------

Mod. X2500 - Series X2000 fittings

Product code: X2500 1/4



DIMENSIONS

D	R1/4
D1	R1/4
H (mm)	11
H1 (mm)	11
L (mm)	27
SW (mm)	14