

Mod. X2500 - Series X2000 fittings

Product code: X2500 1/4PT

Datasheet creation date: 10/03/2025 02:54

Check the most updated document online [click here](#)

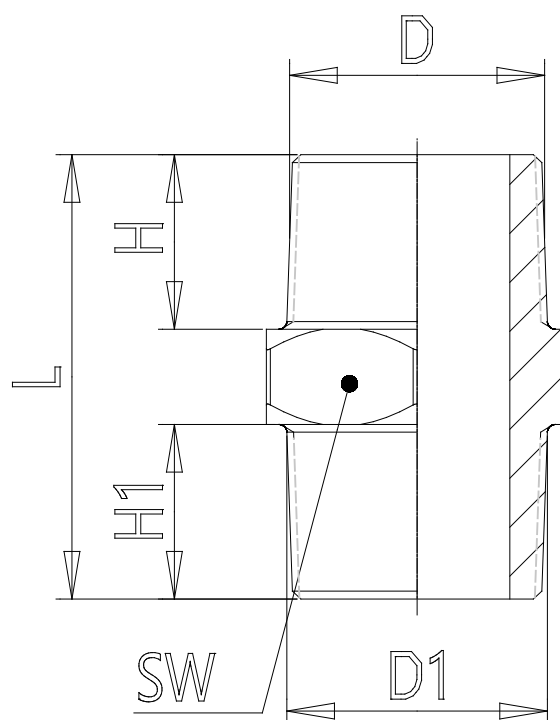


TECHNICAL DATA

Mod.	X2500 1/4PT
------	-------------

Mod. X2500 - Series X2000 fittings

Product code: X2500 1/4PT



DIMENSIONS

D	1/4NPT
D1	1/4NPT
H (mm)	12
H1 (mm)	12
L (mm)	29
SW (mm)	14