

Mod. X2500 - Series X2000 fittings

Product code: X2500 1/8-1/8PT

Datasheet creation date: 10/03/2025 02:54

Check the most updated document online [click here](#)

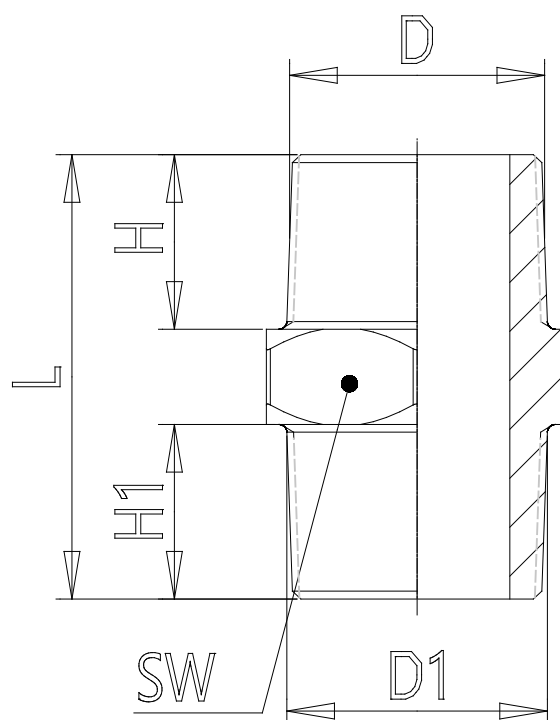


TECHNICAL DATA

Mod.	X2500 1/8-1/8PT
------	-----------------

Mod. X2500 - Series X2000 fittings

Product code: X2500 1/8-1/8PT



DIMENSIONS

D	G1/8
D1	1/8NPT
H (mm)	8
H1 (mm)	9
L (mm)	21
SW (mm)	12