

Mod. X2500 - Series X2000 fittings

Product code: X2500 3/8-3/8PT

Datasheet creation date: 10/03/2025 02:54

Check the most updated document online [click here](#)

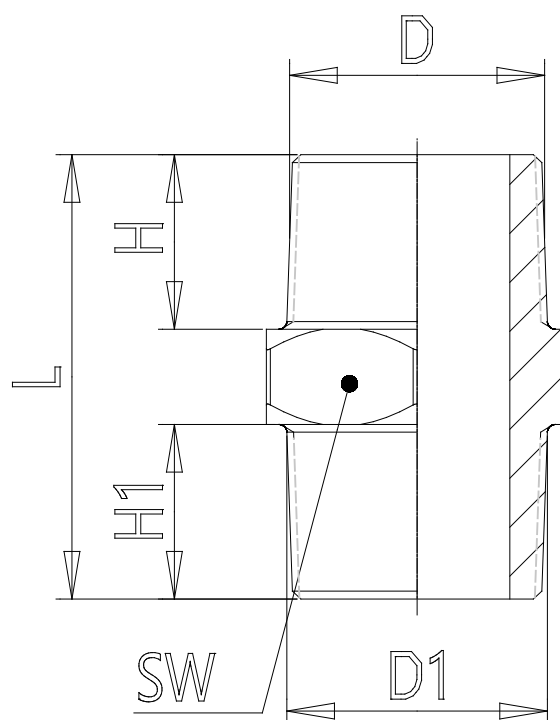


■ TECHNICAL DATA

Mod.	X2500 3/8-3/8PT
------	-----------------

Mod. X2500 - Series X2000 fittings

Product code: X2500 3/8-3/8PT



DIMENSIONS

D	G3/8
D1	3/8NPT
H (mm)	11
H1 (mm)	13
L (mm)	30
SW (mm)	19