

## Mod. X2500 - Series X2000 fittings

Product code: X2500 3/8PT

Datasheet creation date: 10/03/2025 02:54

Check the most updated document online [click here](#)

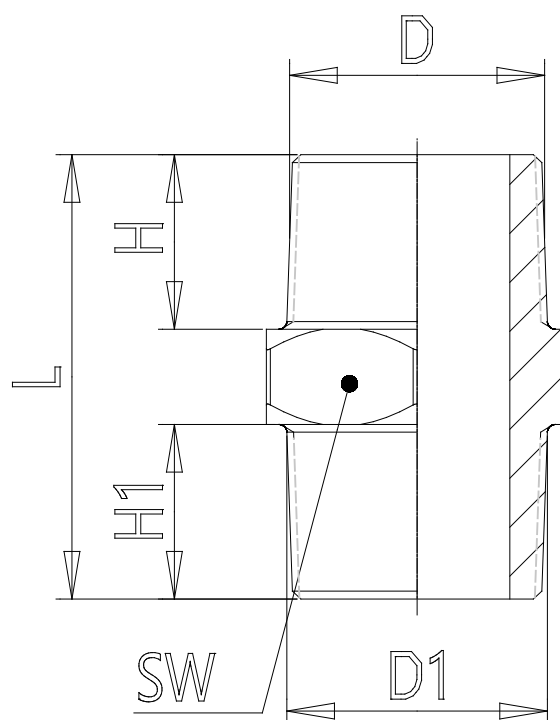


### ■ TECHNICAL DATA

|      |             |
|------|-------------|
| Mod. | X2500 3/8PT |
|------|-------------|

## Mod. X2500 - Series X2000 fittings

Product code: X2500 3/8PT



### DIMENSIONS

|                |        |
|----------------|--------|
| <b>D</b>       | 3/8NPT |
| <b>D1</b>      | 3/8NPT |
| <b>H (mm)</b>  | 13     |
| <b>H1 (mm)</b> | 13     |
| <b>L (mm)</b>  | 33     |
| <b>SW (mm)</b> | 19     |