

Mod. X2520 - Series X2000 fittings

Product code: X2520 1/2-3/4

Datasheet creation date: 10/03/2025 02:55

Check the most updated document online [click here](#)

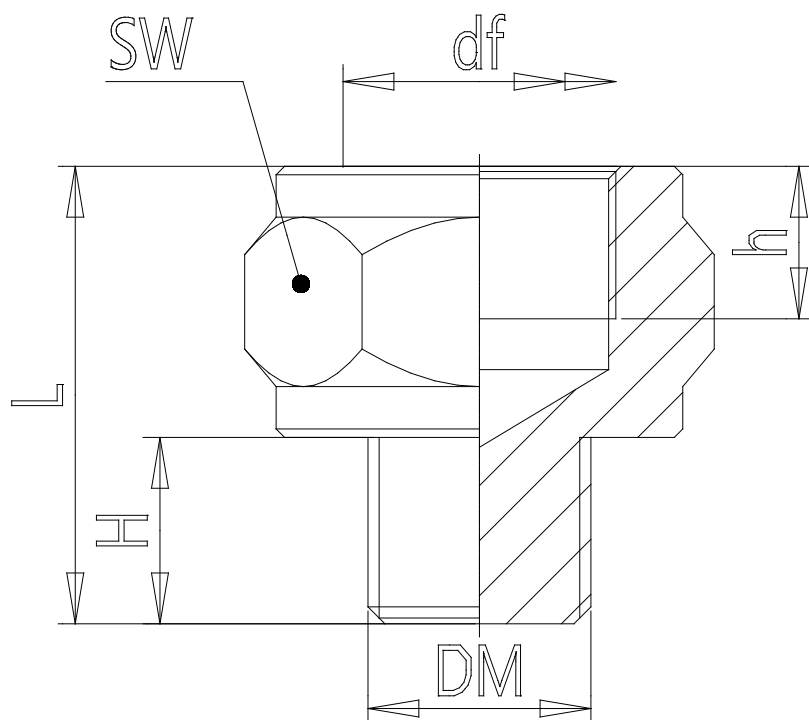


■ TECHNICAL DATA

Mod.	X2520 1/2-3/4
------	---------------

Mod. X2520 - Series X2000 fittings

Product code: X2520 1/2-3/4



DIMENSIONS

DM	G1/2
df	G3/4
H (mm)	13
h (mm)	12
L (mm)	32
SW (mm)	32