

Mod. X2520 - Series X2000 fittings

Product code: X2520 3/8-1/2

Datasheet creation date: 10/03/2025 02:55

Check the most updated document online [click here](#)

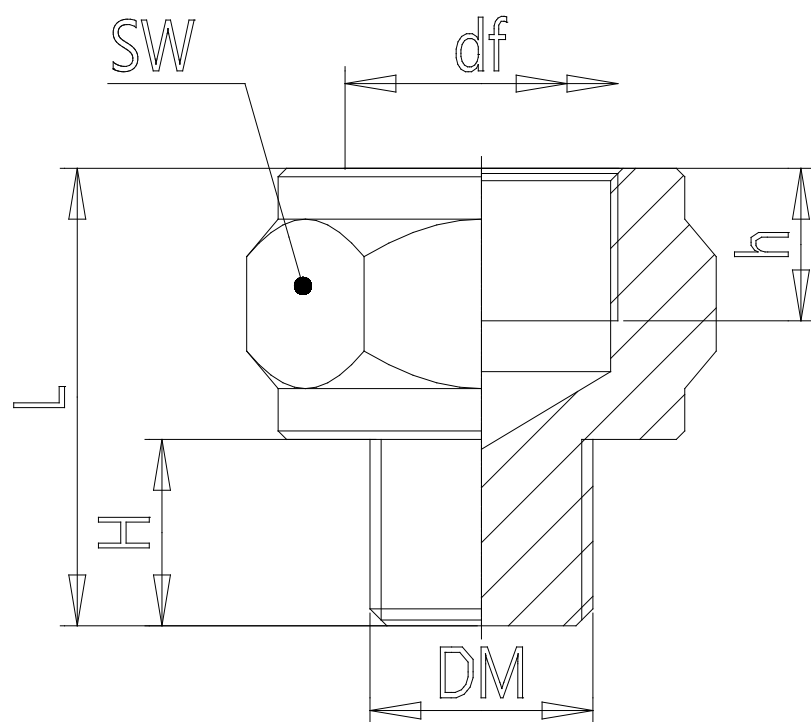


TECHNICAL DATA

Mod.	X2520 3/8-1/2
------	---------------

Mod. X2520 - Series X2000 fittings

Product code: X2520 3/8-1/2



DIMENSIONS

DM	G3/8
df	G1/2
H (mm)	12
h (mm)	14
L (mm)	30
SW (mm)	27