

Mod. X2530 - Series X2000 fittings

Product code: X2530 1/2-1/4

Datasheet creation date: 10/03/2025 02:55

Check the most updated document online [click here](#)

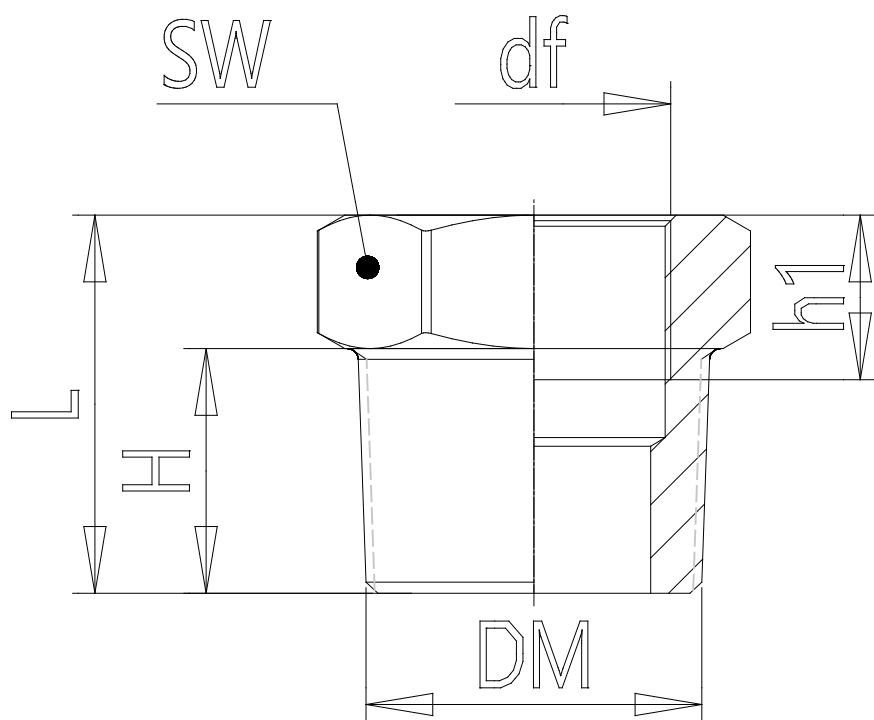


■ TECHNICAL DATA

Mod.	X2530 1/2-1/4
------	---------------

Mod. X2530 - Series X2000 fittings

Product code: X2530 1/2-1/4



DIMENSIONS

D	R1/2
d	G1/4
H (mm)	14.5
h (mm)	10.0
L (mm)	21.0
SW (mm)	22