

Mod. X2530 - Series X2000 fittings

Product code: X2530 1/2PT-1/2

Datasheet creation date: 10/03/2025 02:55

Check the most updated document online [click here](#)

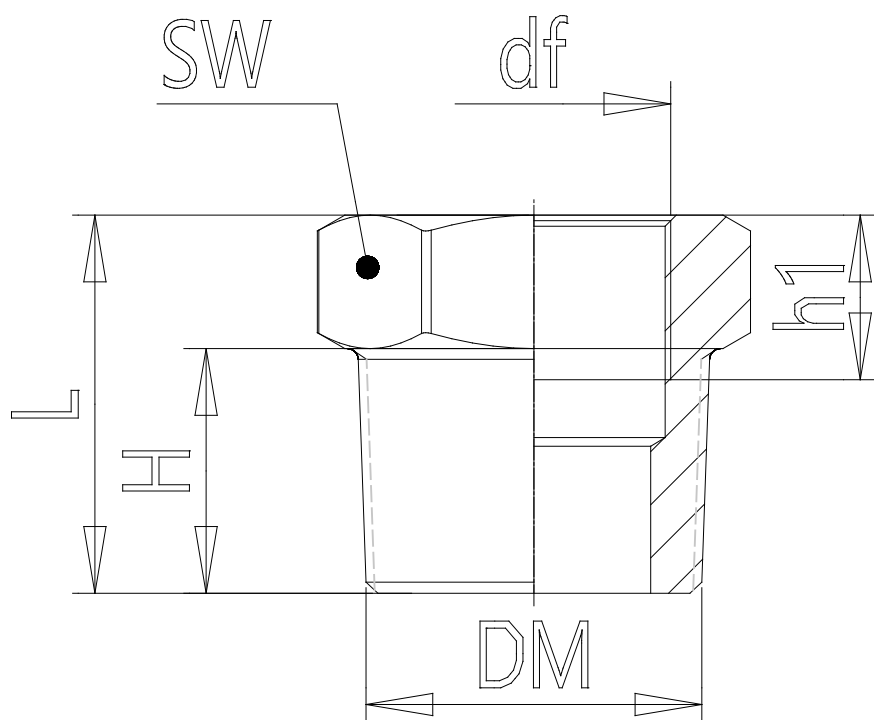


■ TECHNICAL DATA

Mod.	X2530 1/2PT-1/2
------	-----------------

Mod. X2530 - Series X2000 fittings

Product code: X2530 1/2PT-1/2



DIMENSIONS

D	R1/2
d	1/2NPT
H (mm)	22.5
h (mm)	17.0
L (mm)	39.5
SW (mm)	27