

Mod. X2530 - Series X2000 fittings

Product code: X2530 1/2PT-1/4PT

Datasheet creation date: 10/03/2025 02:55

Check the most updated document online [click here](#)

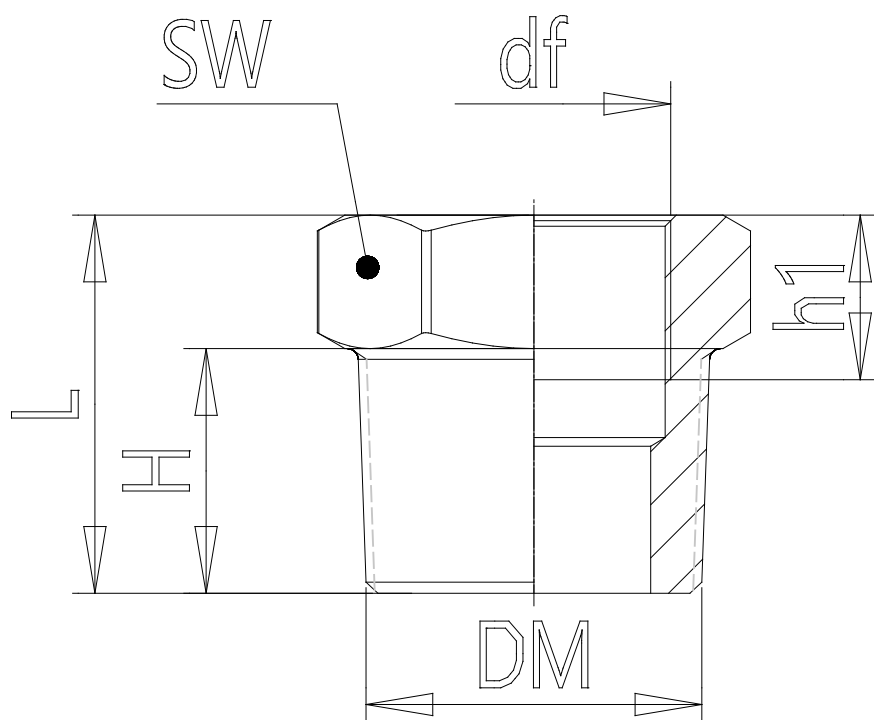


■ TECHNICAL DATA

Mod.	X2530 1/2PT-1/4PT
------	-------------------

Mod. X2530 - Series X2000 fittings

Product code: X2530 1/2PT-1/4PT



DIMENSIONS

D	1/2NPT
d	1/4NPT
H (mm)	14.0
h (mm)	12.0
L (mm)	20.0
SW (mm)	22