

Mod. X2530 - Series X2000 fittings

Product code: X2530 1/8-M5

Datasheet creation date: 10/03/2025 02:55

Check the most updated document online [click here](#)

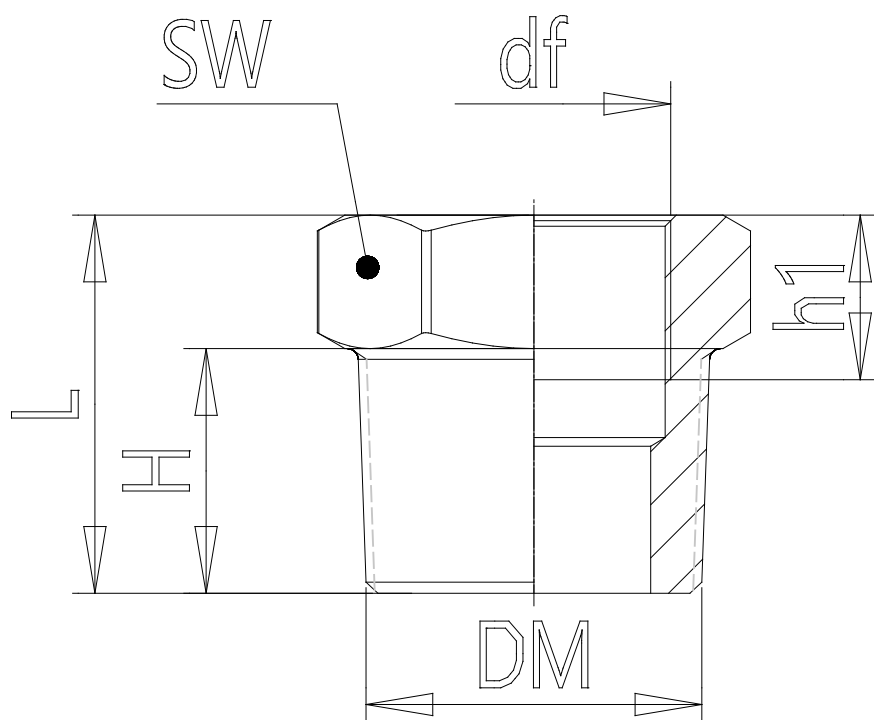


■ TECHNICAL DATA

Mod.	X2530 1/8-M5
------	--------------

Mod. X2530 - Series X2000 fittings

Product code: X2530 1/8-M5



DIMENSIONS

D	R1/8
d	M5x0.8
H (mm)	7.0
h (mm)	7.0
L (mm)	12.0
SW (mm)	12