

## Mod. X2530 - Series X2000 fittings

Product code: X2530 3/8-3/8PT

Datasheet creation date: 10/03/2025 02:55

Check the most updated document online [click here](#)

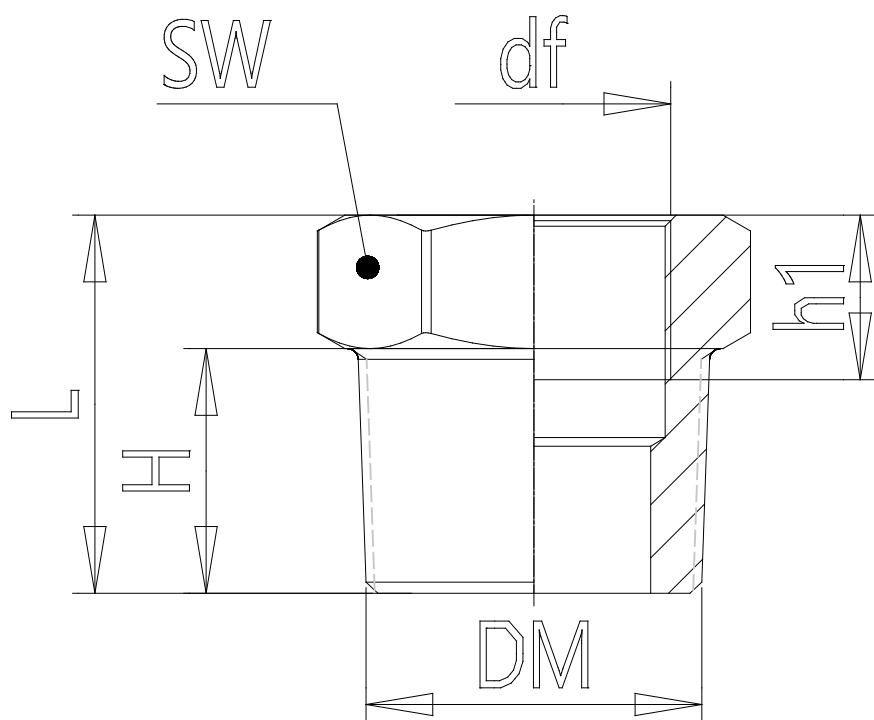


### ■ TECHNICAL DATA

Mod.	X2530 3/8-3/8PT
------	-----------------

## Mod. X2530 - Series X2000 fittings

Product code: X2530 3/8-3/8PT



### DIMENSIONS

<b>D</b>	3/8NPT
<b>d</b>	G3/8
<b>H (mm)</b>	16.5
<b>h (mm)</b>	11.5
<b>L (mm)</b>	31.0
<b>SW (mm)</b>	22