

Mod. X2543 - Series X2000 fittings

Product code: X2543 1/2

Datasheet creation date: 10/03/2025 02:55

Check the most updated document online [click here](#)

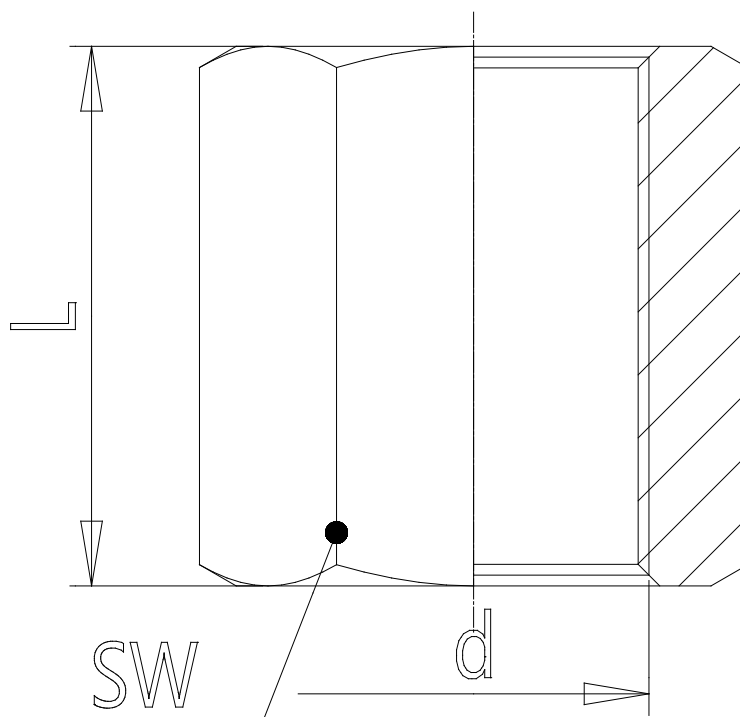


TECHNICAL DATA

Mod.	X2543 1/2
------	-----------

Mod. X2543 - Series X2000 fittings

Product code: X2543 1/2



DIMENSIONS

D	G1/2
L (mm)	32
SW (mm)	27