

Mod. X2612 EH - Series X2000 fittings

Product code: X2612 1/4-EH

Datasheet creation date: 10/03/2025 02:57

Check the most updated document online [click here](#)

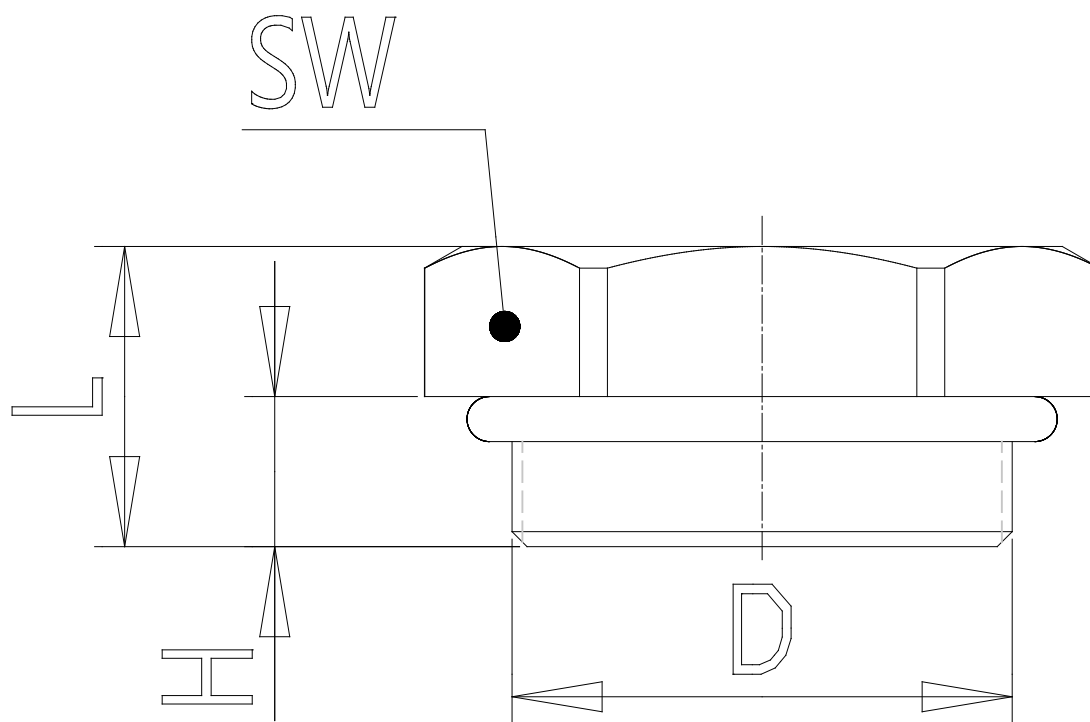


TECHNICAL DATA

Mod.	X2612 1/4-EH
------	--------------

Mod. X2612 EH - Series X2000 fittings

Product code: X2612 1/4-EH



DIMENSIONS

D	G1/4
H (mm)	5.0
L (mm)	9.0
SW (mm)	16