

Mod. X2612 - Series X2000 fittings

Product code: X2612 1/4

Datasheet creation date: 10/03/2025 02:57

Check the most updated document online [click here](#)

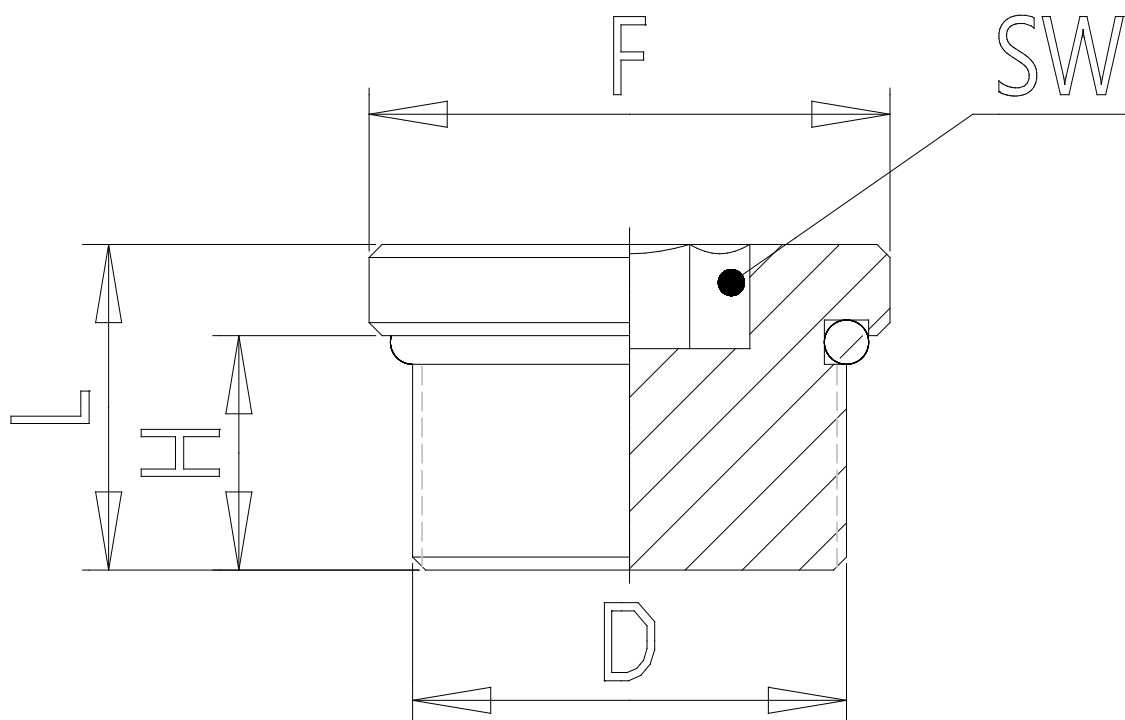


TECHNICAL DATA

Mod.	X2612 1/4
------	-----------

Mod. X2612 - Series X2000 fittings

Product code: X2612 1/4



DIMENSIONS

D	G1/4
F (mm)	18
H (mm)	8
L (mm)	11.1
SW (mm)	6