

## Mod. X2612 - Series X2000 fittings

Product code: X2612 1/8

Datasheet creation date: 10/03/2025 02:57

Check the most updated document online [click here](#)

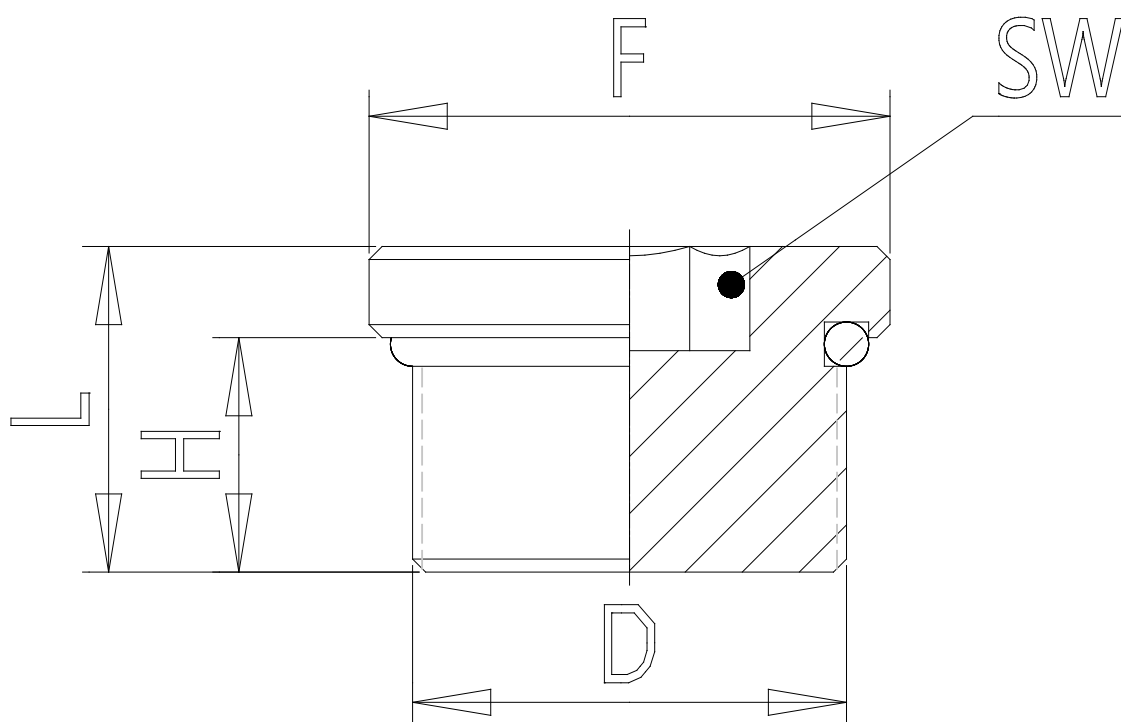


### ■ TECHNICAL DATA

Mod.	X2612 1/8
------	-----------

## Mod. X2612 - Series X2000 fittings

Product code: X2612 1/8



### **DIMENSIONS**

<b>D</b>	G1/8
<b>F (mm)</b>	14
<b>H (mm)</b>	6
<b>L (mm)</b>	8.5
<b>SW (mm)</b>	5