

Mod. X2612 - Series X2000 fittings

Product code: X2612 3/8

Datasheet creation date: 10/03/2025 02:57

Check the most updated document online [click here](#)

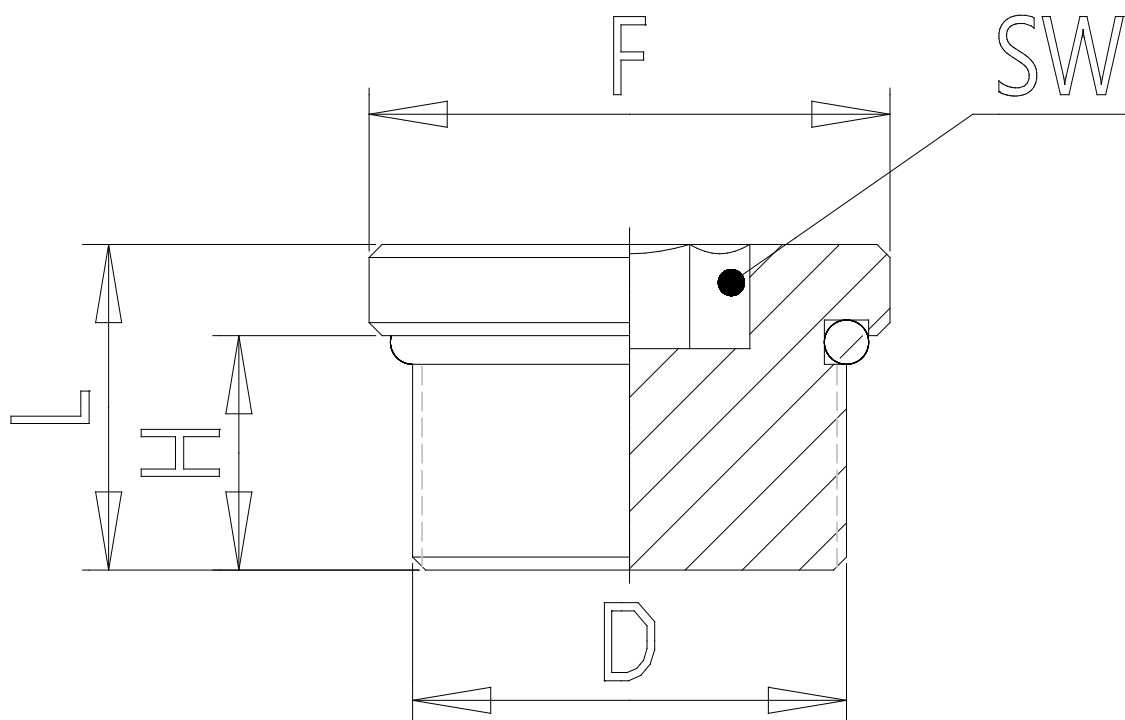


■ TECHNICAL DATA

Mod.	X2612 3/8
------	-----------

Mod. X2612 - Series X2000 fittings

Product code: X2612 3/8



DIMENSIONS

D	G3/8
F (mm)	20
H (mm)	9
L (mm)	12.5
SW (mm)	8