

## Mod. X2615 - Series X2000 fittings

Product code: X2615 1/2

Datasheet creation date: 10/03/2025 02:57

Check the most updated document online [click here](#)

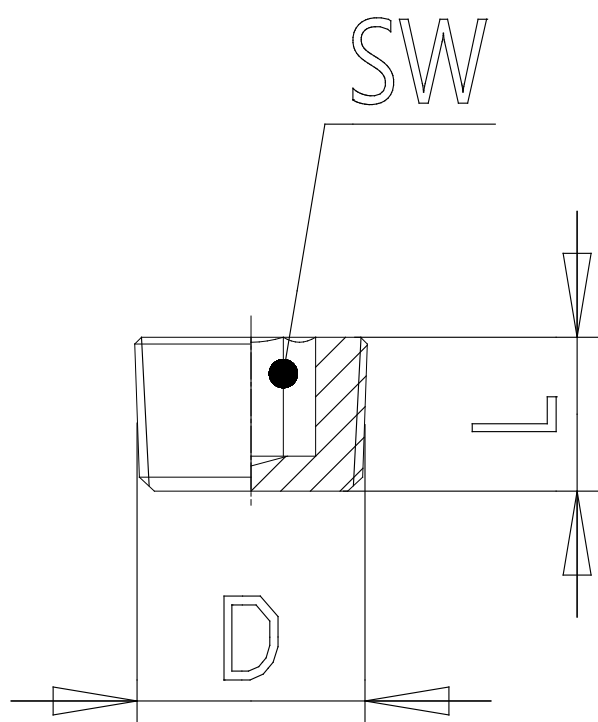


### TECHNICAL DATA

Mod.	X2615 1/2
------	-----------

## Mod. X2615 - Series X2000 fittings

Product code: X2615 1/2



### **DIMENSIONS**

<b>D</b>	R1/2
<b>L (mm)</b>	13
<b>SW (mm)</b>	10