

Mod. X2615 - Series X2000 fittings

Product code: X2615 1/4

Datasheet creation date: 10/03/2025 02:57

Check the most updated document online [click here](#)

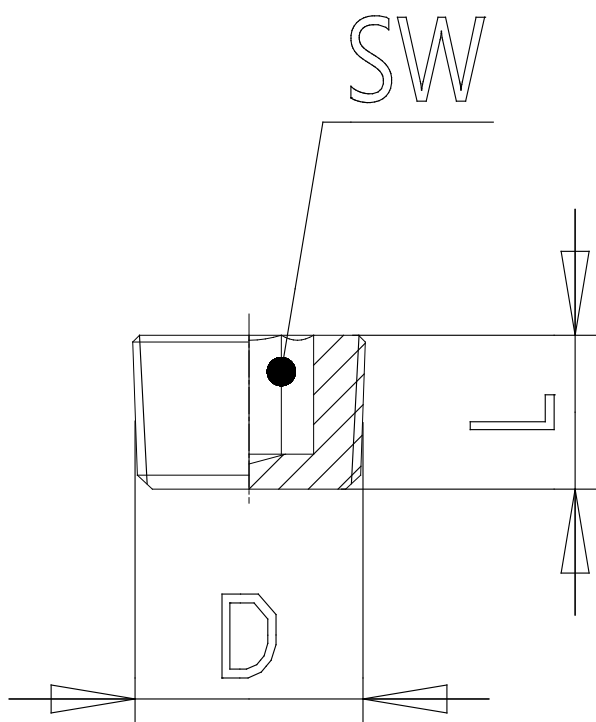


■ TECHNICAL DATA

Mod.	X2615 1/4
------	-----------

Mod. X2615 - Series X2000 fittings

Product code: X2615 1/4



DIMENSIONS

D	R1/4
L (mm)	10
SW (mm)	6