

Mod. X6510 - Series X6000 fittings

Product code: X6510 10-1/4

Datasheet creation date: 10/03/2025 09:20

Check the most updated document online [click here](#)

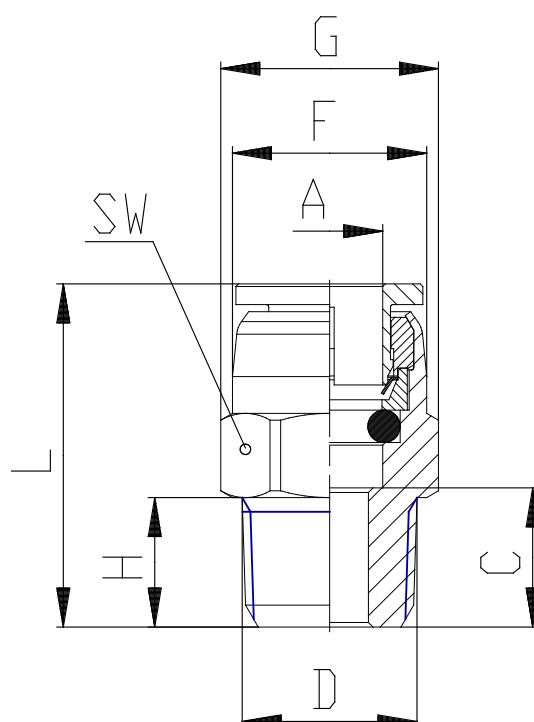


TECHNICAL DATA

Mod.	X6510 10-1/4
------	--------------

Mod. X6510 - Series X6000 fittings

Product code: X6510 10-1/4



DIMENSIONS

A (mm)	10
C (mm)	11.0
D (mm)	R1/4
F (mm)	17.4
H (mm)	10
L (mm)	28.0
SW (mm)	19
Weight (g)	28
package	10