

## Mod. X6512 - Series X6000 fittings

Product code: X6512 10-1/2

Datasheet creation date: 10/03/2025 09:20

Check the most updated document online [click here](#)

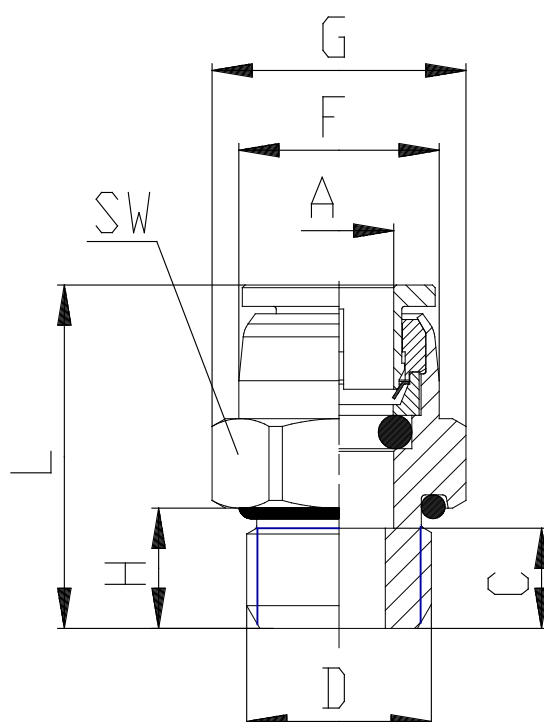


### ■ TECHNICAL DATA

Mod.	X6512 10-1/2
------	--------------

## Mod. X6512 - Series X6000 fittings

Product code: X6512 10-1/2



### DIMENSIONS

<b>A (mm)</b>	10
<b>C (mm)</b>	11.5
<b>D (mm)</b>	G1/2
<b>F (mm)</b>	17.4
<b>H (mm)</b>	9.5
<b>L (mm)</b>	28.7
<b>SW (mm)</b>	27
<b>Weight (g)</b>	60
<b>package</b>	10